

# RANGEHOOD & INSTALLATION GUIDE

# EV-6UCQ, EV-9UCQ

Revision V1.0

**Event**  
by **schweigen**  
HOME APPLIANCES

[www.schweigen.com.au](http://www.schweigen.com.au)

- **Before Installation**
  - Important information \_\_\_\_\_ 3
  - Maintenance & Service \_\_\_\_\_ 4
  - LED Bulb Replacement \_\_\_\_\_ 5
  - Electrical Cord \_\_\_\_\_ 5
  - For Users \_\_\_\_\_ 5
  - For Installers \_\_\_\_\_ 5
- **Description & Installation**
  - Ranghood Contents \_\_\_\_\_ 7
  - Speed Operation \_\_\_\_\_ 7
  - Cutout Size \_\_\_\_\_ 7
  - Mounting Laws and Regulations \_\_\_\_\_ 8
  - Mounting Points \_\_\_\_\_ 8
  - Overview \_\_\_\_\_ 9
  - Flexi Ducting \_\_\_\_\_ 9
- **Condensation Information** \_\_\_\_\_ 10
- **Troubleshooting**
  - Troubleshooting \_\_\_\_\_ 11
  - Faulty Installation \_\_\_\_\_ 11
  - Service \_\_\_\_\_ 11
- **Warranty** \_\_\_\_\_ 12
- **Specifications** \_\_\_\_\_ 14

# THANK YOU FOR PURCHASING AN EVENT RANGEHOOD.

## IMPORTANT

- Please read this section thoroughly before attempting to install or operate the rangehood. Inspect your product upon receipt. Any damage or defects **MUST** be reported within **48** hours, or no claim will be recognised.
- **Before installing the electrical connections, you should:**
  - Verify that the indicated electrical data coincide with the voltage values and frequency of the electrical circuit in the house where the rangehood is to be installed;
  - Check that the premises has electrical protection against short circuits and electrocution, pursuant to the applicable legislation;
  - Always switch off the current using the double-pole switch before maintenance and turn the power on again for normal use only when the operation has been completed.
- **DO NOT INSTALL THIS APPLIANCE IF YOU FIND IT DAMAGED.**
- If this product is installed damaged, neither the supplier, nor the retailer, will be responsible for the costs associated with the repair, replacement, removal or re-installation of the appliances.
- Please read the entire instructions before installing the rangehood, always switch power off prior to installation. All electrical work must be done by a registered electrician in accordance with local and national electrical codes as applicable. For your safety, this product must be earthed.
- The power socket must be accessible and enable the end user to isolate the rangehood from the power for the purpose of internal cleaning or maintenance.
- Check the contents of the packaging, check all electrical functions of the canopy before installation. Canopy is heavy. Please ensure adequate care when installing to prevent personal injury.
- A power outlet should be within reach of the power cord exit from the rangehood.
- The canopy hood is not intended for use by persons (including children) with reduced physical, sensory or mental capabilities, or lack of experience and knowledge, unless they have been given supervision or instruction concerning use of the appliance by a person responsible for their safety.
- Children should be supervised to ensure that they do not play with the appliance.
- There must be adequate ventilation of the room when the rangehood is used at the same time as appliances burning gas or other fuels.
- There is a fire risk if cleaning is not carried out in accordance with the instructions. You must read the details concerning the method and frequency of cleaning.
- Do not flambé under the rangehood. This will void the warranty.
- Exhaust air must not be discharged into an existing flue which is used for exhausting fumes from appliances burning gas or other fuels.
- The minimum distance between the hob surface and the lowest part of the rangehood is 650mm. This distance shall be at least 650mm, if the rangehood is installed over a gas hob. If the instructions for the gas hob specify a greater distance, this has to be taken into account.

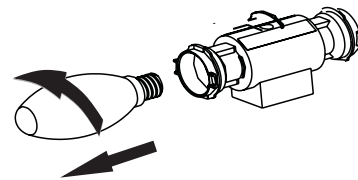
- Attention should be given to ensure that any applicable regulations concerning the discharge of exhaust air is fulfilled. Even a partial obstruction will restrict the efficiency of the rangehood.
- Stainless steel is very easily damaged during installation if abraded or knocked by tools. Protect the rangehood with the cardboard box or plastic bag during installation.
- **CAUTION:** Accessible parts may become hot when used with cooking appliances.
- We recommend this appliance be installed and repaired by a qualified technician.
- It is dangerous to modify any part of this appliance. Modification of any kind, will immediately void the warranty.
- The manufacturer declines all responsibility in case of failure to adopt proper safety measures.
- Please consult local laws and regulations and install in accordance.
- Use an electrical connector with earth that is correct for your location.
- Check that the voltage in your area corresponds to the appliance as indicated on the rating label.
- This appliance must be connected to an electricity supply with a **ground connection**.
- Check that the installation and electrical connections are made by a qualified technician and that the indicated instructions and local regulations in force are met, using materials that are compliant with the applicable legislation.
- The company will not be responsible for installations executed by non-qualified persons and installations that fail to heed the applicable legislation on electrical safety (with regard to both modes and materials).
- The electrical technical data can be found inside the rangehood, after removing the grease filters.
- The flexible power cable supplied is already connected internally and emerges from the rangehood near the air outlet tube.

## MAINTENANCE AND SERVICE

- Always switch off and disconnect power before cleaning.
- The rangehood surface should be cleaned with soft cloth and non-corrosive detergent. Wash with warm soapy water and a soft sponge. Never use abrasive detergent, scouring pads, steel wool or solvents on any part of this appliance, Always make sure to dry the appliance after cleaning and never leave wet, as this will cause irreparable damage.
- Clean the interior of the rangehood with a damp cloth and a neutral detergent or denatured alcohol.
- For better results, you can use high quality cleaning and protection products (e.g. Steel Kleen) to clean rangehood.
- Do not leave the rangehood surface wet after cleaning.
- Particular care must be taken with the aluminium filters which must be periodically cleaned (at least every month, this will vary depending on frequency of cooking and type of foods cooked). Remove the grease filters and wash them either by hand using hot soapy water or in the dishwasher using mild detergent. Do not scrub. Note - some discolouration of the frame may occur when washing in the dishwasher Caution: Never use abrasive or oil based liquid cleaners.
- If the grease filters are very dirty, the motor will extract only a small quantity of air, which reduces its efficiency. The grease deposits that build up on the filter are highly flammable and **COULD EASILY CATCH FIRE**. The manufacturer is exonerated from all responsibility in the event of fire due to poor maintenance of the grease filters.
- **Important:** Never attempt to repair this appliance by yourself. Always refer to a qualified Service Technician. Remember to always switch off the electricity and unplug the connection before conducting maintenance or cleaning.

## LED BULB REPLACEMENT

- Switch off the power to the canopy hood and allow the bulb to cool.
- Remove the bulb by turning it by hand in an anti clockwise direction
- Care must be taken to avoid the bulb falling onto the hob top
- Replace the bulb by inserting it into the socket and hand turning in a clockwise direction



## ELECTRICAL CORD

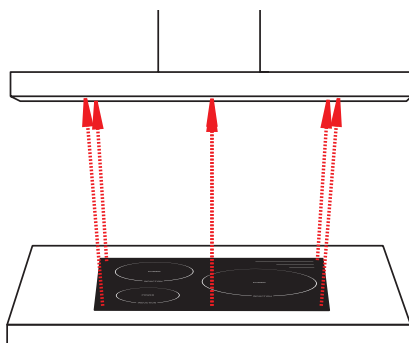
Ensure the supply cord is not exposed to heat, chemicals or sharp objects. If the supply cord is damaged, it must be replaced by the manufacturer, service agent or a similarly qualified person in order to avoid a hazard.

## FOR USERS

- This product is designed for household use and should not be used outside or for commercial applications. After use, always ensure that all controls are in the "OFF" position. When frying with a gas flame, take particular care not to allow the oil or grease in the pan to catch fire. (Flambé)
- Do not leave the frying pan or fryer unattended, as the oil could overheat and catch fire.
- Never flambé any foods beneath the rangehood. The flames could cause a fire.
- Before carrying out any operation inside the rangehood, unplug the appliance from the electrical mains.
- Respect the cleaning frequencies and intervals for changing the filters, as otherwise the accumulated grease could cause a fire or damage the product.
- Changes made to the steel surface will render the warranty invalid.

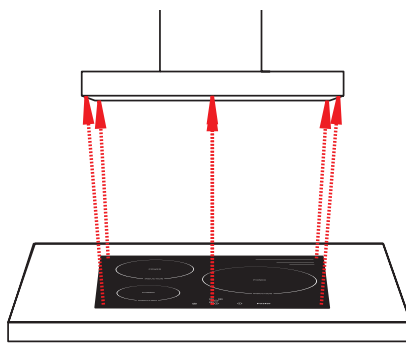
## FOR INSTALLERS

- In addition to the size, the height of the rangehood above the cooktop is important to obtain the best performance.
- For recommended height, please refer to Mounting Laws and Regulations.



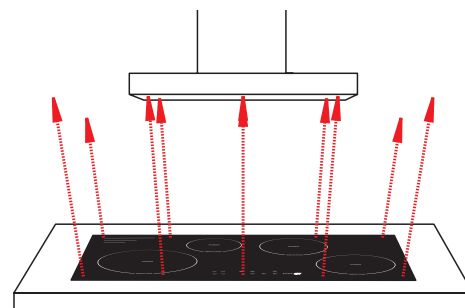
### BEST

Rangehood bigger than the cooking area.



### OK

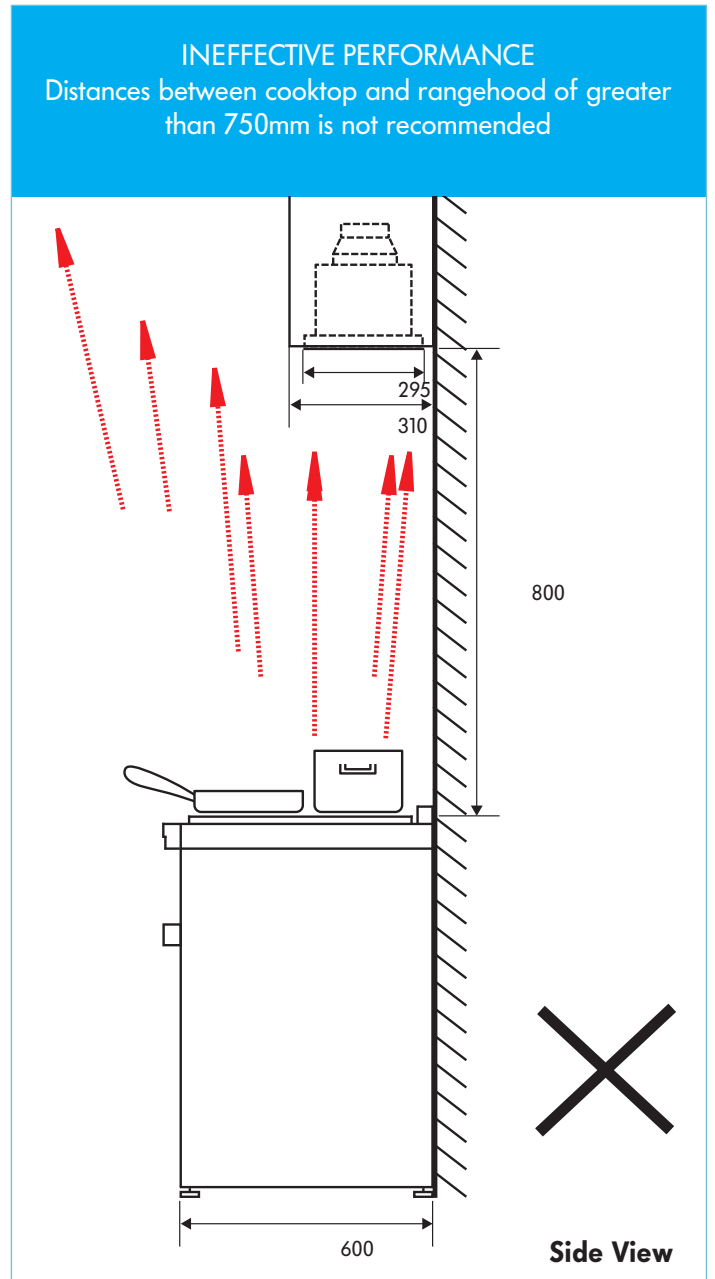
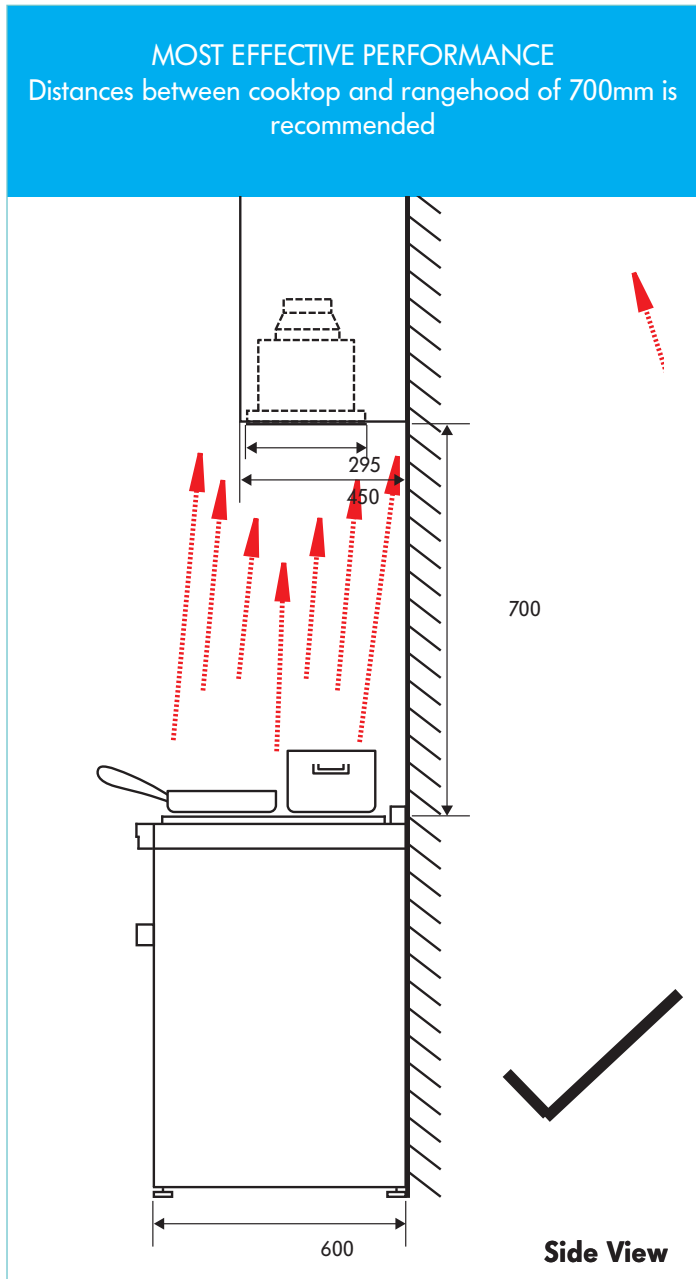
Rangehood equal to the cooking area.



### NOT RECOMMENDED

Rangehood smaller than the cooking area.

- For more effective suction and performance from your rangehood, install the rangehood further out from the wall and closer to the front edge of the cooktop where possible.

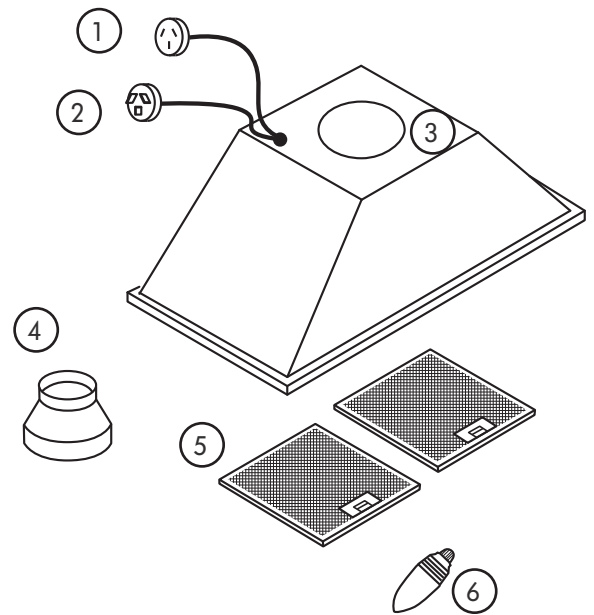


**NOTE:** Installing the rangehood too high above the cooktop will also decrease the effectiveness.

## RANGEHOOD CONTENTS

- ① Power to motor system
- ② Male Plug (Main Power 240V)
- ③ Single 200mm Outlet
- ④ Reducer (150mm - 200mm)
- ⑤ Filter
- ⑥ Lamp

**NOTE:** Filter and light quantity may vary from model to model.



## SPEED OPERATION

This undermount is equipped with an ON/OFF switch. When the "ON" position is selected the unit will run at maximum. When the "OFF" position is selected the rangehood will turn off.

✕ "I" is the ON position and "O" is the OFF position.

☀ "I" is the ON position and "O" is the OFF position.

## CUTOUT SIZE

Please use this as a guide only when designing your cabinet. Alternatively, present the rangehood to your cabinet maker so that they may take their own measurements and check that the rangehood fits in the cabinet correctly.

(60cm - 572mm approx.) (90cm - 872mm approx.)



266mm approx.

**NOTE:** Please make sure that all plastic protection on the rangehood and filters are removed before use.

**NOTE:** Dimensions may be subject to change.

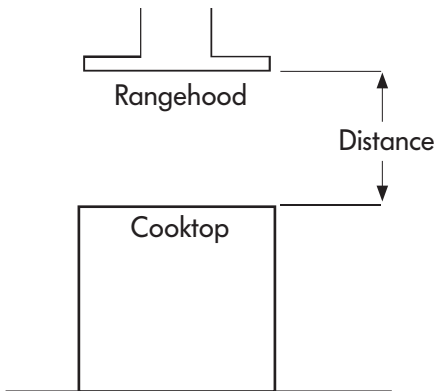
# MOUNTING LAWS AND REGULATIONS

The rangehood is designed for installations between 650 to 750mm above the cooking surface. Any installation above 750mm will compromise the extraction performance.

Minimum height from the hob top surface to the underside face of the rangehood:

- 650mm electric hob
- 650mm gas hob

Notes: If the instructions for the gas hob specify a greater distance, this has to be taken into account.

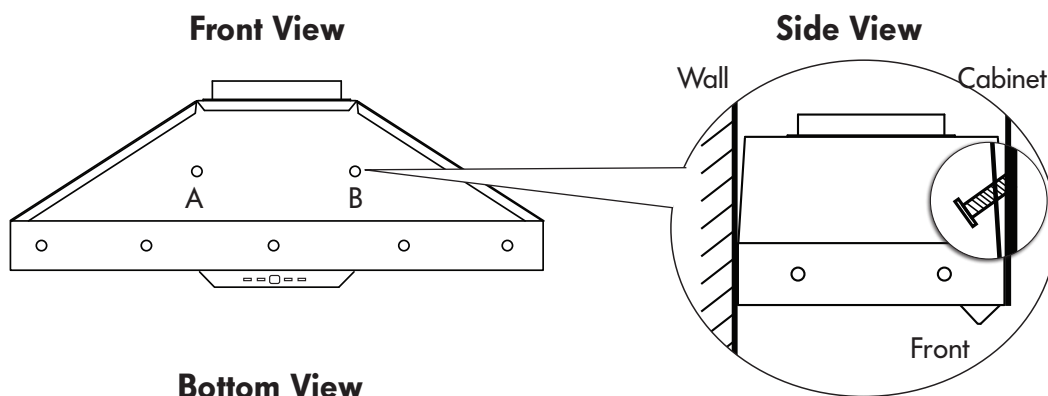


**\*IMPORTANT:** If the user decides to install the rangehood at a distance of less than minimum height above the cooking surface, the company declines responsibility for damages suffered by the rangehood due to excess heat or damage to objects, people and others caused directly or indirectly by a malfunction, breakage or fire.

**\*IMPORTANT:** Please check all State and Federal Laws in relation to the minimum - maximum heights, regulations concerning the expelling of air and install your rangehood in accordance with local laws and regulations.

# MOUNTING POINTS

The diagrams below are a guide for all mounting points.



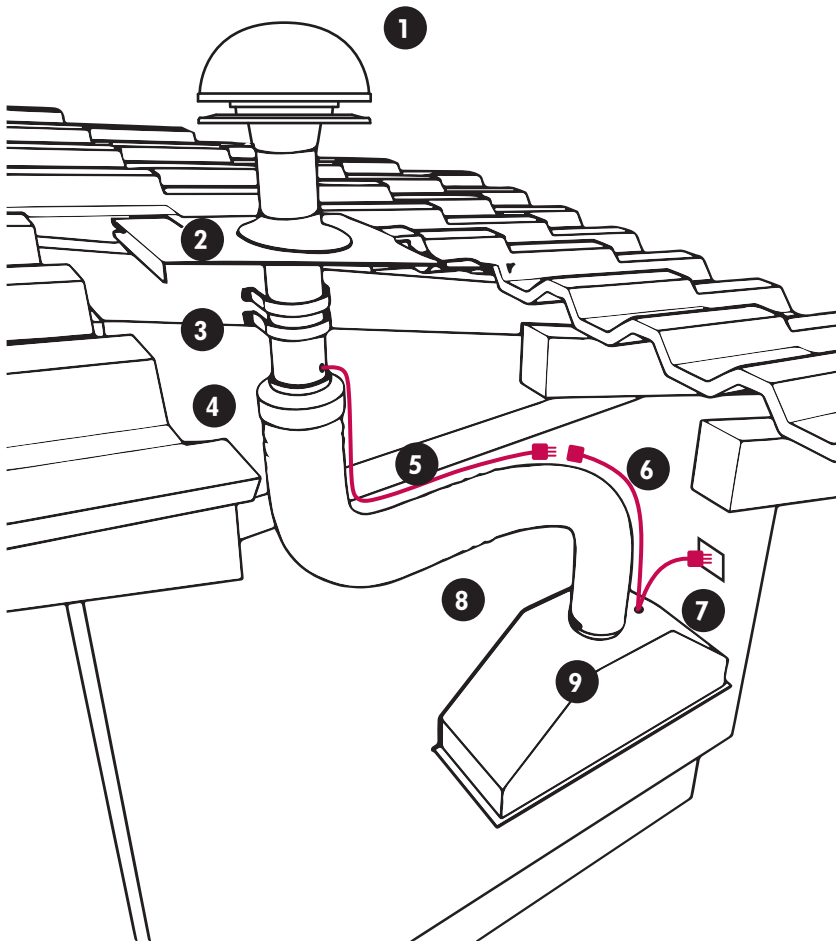
Mounting point A and B need to be tightened with slightly angled screws to pull the rangehood up tight to the cabinet.

These support screws insert from the bottom of the rangehood.

These support screws insert from the inside of the cabinet.



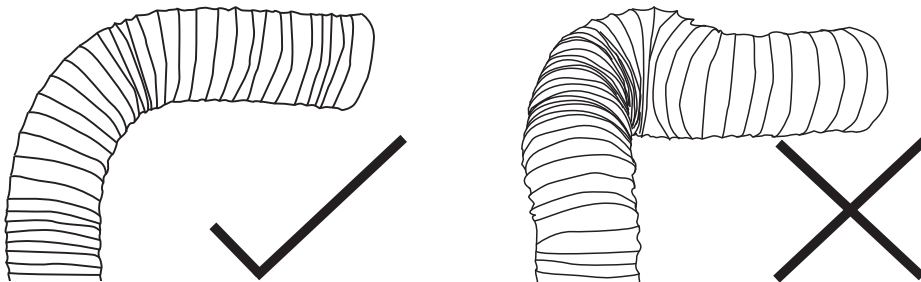
## OVERVIEW



- ① XDrive-600 Motor
- ② Roof Seal Kit (Dektite)\*
- ③ Support Straps\*
- ④ Attach Flexi Duct to Bell-Mouth Adaptor using duct tape and cable tie. **DO NOT** rip the ducting.
- ⑤ Motor Power Lead (Male Plug)
- ⑥ Rangehood to Motor Lead (Female Plug)
- ⑦ Main Power Lead (Male Plug)
- ⑧ Flexi Ducting must be pulled taut. **DO NOT** crush or kink the ducting. Keep ducting secured in place.
- ⑨ Connect flexi ducting to the outlet on rangehood using duct tape or cable tie. Please **DO NOT** rip the ducting.

**\*NOTE:** The motor system does not include roof seal kit, support straps, duct tape and cable ties. Please see motor installation guide provided for more information.

## FLEXI DUCTING



**IMPORTANT:** For the motor, please do not crush or kink flexi ducting, as it will reduce air flow and may cause noise to occur through the system. Ducting needs to be kept taut at all times.

## CONDENSATION INFORMATION

If **induction, vitro-ceramic hobs** and the like are not used correctly, they can lead to problems with the condensation of liquids due to temperature differences. After some time in use, these condensed liquids can build up and possibly appear on the metal filters or the bottom of the rangehood.

Induction cooking is designed to provide rapid heating, improved thermal efficiency and greater heat consistency. For some customers with an induction cooktop, condensation can form on their rangehood filters while using their cooktop.

The induction cooktops' heat source is contained in the conductive base of the pot. When compared with a gas, electric or wok burner, the heat is not isolated or contained to one area and therefore gradually rises up on all sides of the pot or frypan. This combination allows the rangehood filters to warm up slowly and eliminate the formation of condensation. For induction cooktops, the immediate and contained heat source can produce vapours rapidly and prevents the filters from gradually warming up and increases the chance of condensation forming.

There are many variables that can contribute to the condensation problem associated with induction cooktops and rangehoods. Some of these variables include, but are not limited to:

- Where you are located
- The position of your home and kitchen (morning/afternoon sun)
- The quality of pots and cookware you are using
- Height of rangehood
- Rapid heating
- Ducting angle
- Filter size

### **User advice to avoid condensation in the rangehood:**

- The rangehood should be switched on approx. 5 minutes prior to cooking and shut down 10 minutes after cooking has stopped in order to clear the fumes held in the flue. These steps will help clear the flue out.
- Do not cook at full power straight away, i.e. start on low or medium power for a while so that the steel in the rangehood can warm up.
- Filters must be kept clean. For induction cooktop users, aim to clean filters at least every 10 days, and replace the filters if their condition begins to deteriorate. (Depends on the frequency of your cooking)
- There must be a constant flow of air into the cooking area to avoid the creation of a depression which can affect the rate of aspiration.
- Follow the advice from the instructions for induction systems with regards to the condensation effect.
- Suggested height for induction cooktop is approx. 700mm above the cooking surface.

Each person's circumstances are different, but the vast majority of induction cooktop owners have had no problems with condensation. However, it is important to understand that:

Neither the rangehood nor the induction cooktop are faulty. That in some circumstances, the combination of the rangehood, the induction cooktop and the many variables within your home, can lead to condensation forming on your rangehood filters. With a gas or standard electric cooktop, you should not have any condensation.

## TROUBLESHOOTING

Before you contact the technical service department, make sure that the product is plugged in, the electric fuse (on selected models) is in correctly and electric wiring is connected. (Fuses can be purchased from your local electrical dealer or hardware store). Weak air suction may be caused by back draft fins remaining closed. Do not take any action that will damage the product.

	Check electric connection. Voltage of the electric network should be between 220 - 240V, rangehood should be connected to grounded plug and turned on.	Check rangehood's motor switch. Please ensure that there is power to the rangehood, the motor is connected to the rangehood and the rangehood is switched on.	Check lamp switch. Lamp switch should be at on position.	Check metal filter. Metal filter should be washed regularly, see filter cleaning.	Check lamps. Lamps should be firm.	Check outlet. Outlet should be open.	Check lamps. Make sure they are not broken or faulty. Replace if broken.	Please make sure there is no obstruction in ducting and back draft fins.	Check the outlet, make sure it is not blocked and you have the correct diameter ducting installed.	Check Isodrive installation manual, make sure the flexi ducting is installed correctly, eg. Length of ducting used, keep the ducting taut.	Check motor to make sure it hasn't been obstructed or damaged by flying debris.
Rangehood does not work	X	X									
Light does not work	X		X		X		X				
Rangehood air suction is weak	X			X		X		X	X		
Rangehood does not direct air out	X			X				X			
Loud noise from the rangehood	X								X	X	X

## FAULTY INSTALLATION

It is not the responsibility of Schweigen to rectify any incorrect installations. A service call out fee will be charged for any Schweigen technician that attends a call, whereby it's established that the fault is due to an incorrect installation or non-manufacturing fault. Should the appliance be installed in such a way that the service agent is unable to gain access to the appliance, the person/s who own the premises or the appliance where the appliance resides – will be responsible to provide access to the appliance at their expense.

## SERVICE

In the event that the failure is not due to the faults mentioned in Troubleshooting, contact Service.

A service request will require the purchase date, the rangehood model and motor type, the rangehood serial number or batch number (this number is on a sticker inside the rangehood).

## WARRANTY

This warranty is provided by Event Rangehoods ACN 124 141 322 of Unit 102/ 45 Gilby Rd, Mount Waverley, Victoria 3149. Phone number: 1300 299 894, (we, us out of) respect of the Schweigen product which this warranty card has been included in the packaging for or otherwise supplied with the Schweigen product.

Subject to the exclusion below, we warrant that the Schweigen product will be free from defects caused by faulty workmanship and materials within:

(a) In the case of the Schweigen products used for personal, domestic or household purposes, a period of 2 years.

From the date the Schweigen product is purchased as a brand new product from the authorised retailer located in Australia;

(b) In the case of the Schweigen product used for purposes other than personal, domestic or household purposes (including business or commercial use). The warranty period is nil.

This warranty is personal to the first person who acquires the Schweigen Home Appliances product from the relevant retailer and claims under this warranty cannot be made by anyone other than this person.

Schweigen Home Appliances products are designed and intended for domestic use.

The benefits conferred by this warranty are in addition to the Consumer Guarantees referred to in section 3 and any other statutory rights you may have under the Australian Consumer Law and/or other applicable laws.

### Warranty Exclusions

Subject to the exclusion below, we warrant that the Schweigen Home Appliance product will be free from defects caused by faulty workmanship and materials within:

This warranty does not apply where:

- (a) The Schweigen Home Appliances product has been installed, used or operated otherwise than in accordance with the product manual or other similar documentation provided to you with the Schweigen Home Appliances product;
- (b) The Schweigen Home Appliances product requires repairs due to damage resulting from accident, misuse, incorrect installation, improper liquid spillage, incorrect cleaning or maintenance, unauthorized modification, use on an incorrect voltage, power surges and dips, voltage supply problems, tampering or unauthorized repairs by an persons, use of defective or incompatible accessories or exposure to corrosive conditions;
- (c) The repairs relates to the replacement of consumable parts such as fuses in plugs and bulbs or any other parts of the Schweigen Home Appliances product which require routine replacement;
- (d) You are unable to provide us with reasonable proof of purchase for the Schweigen Home Appliances product;
- (e) The breakdown occurs after the expiry of the warranty period set out in section 1; or
- (f) The Schweigen Home Appliances product was not purchased in Australia or New Zealand as a brand new product.
- (g) Damage or defects have not been reported within 48 hours of delivery, otherwise no claim will be recognised.
- (h) If this product is installed damaged, the supplier, nor the retailer will be responsible for the costs associated with the repair, replacement, removal and re-installation of the appliances.

We DO NOT cover consequential damage or loss arising from installation or repair or use of our products.

## **Consumer Guarantees**

Our goods come with guarantees that cannot be excluded under the Australian Consumer Law. You are entitled to a replacement or refund for a major failure and for compensation for any other reasonably foreseeable loss or damage. You are also entitled to have the goods repaired or replaced if the goods fail to be of acceptable quality and the failure does not amount to a major failure.

If you acquired the goods in New Zealand, similar provisions of the Consumer Guarantees Act 1993 may apply, but may be excluded if you acquire the goods for the purpose of a business.

## **How to make a claim**

You may make a claim under this warranty by visiting our website at ([www.schweigen.com.au](http://www.schweigen.com.au) in Australia), contacting our customer care line (1300 299 894) or visiting a Schweigen Rangehoods service centre.

To make a valid claim under this warranty, you must:

- (a) Complete and return the Service request form, found on the Schweigen website email to [service@schweigen.com.au](mailto:service@schweigen.com.au)
- (b) Lodge the claim with us as soon as possible and no later than 14 days after you first become aware of the breakdown;
- (c) Provide us with the Schweigen Home Appliances product model number/s and serial number if applicable.
- (d) Provide us with a reasonable proof of purchase for the Schweigen Home Appliances product; and
- (e) If required by us, provide us (or any person nominated by us) with access to the premises at which the Schweigen Home Appliances product is located at times nominated by us (so that we can inspect the Schweigen Home Appliances product).

## **Warranty Claims**

If you make a valid claim under this warranty and none of the exclusions set out in section 2 apply, we will, at our election, either repair the Schweigen Home Appliances product or replace the Schweigen Home Appliances product with a product of identical specification (or where the product is superseded or no longer in stock, with a product of as close a specification as possible).

Goods presented for repair may be replaced by refurbished goods of the same type rather than being repaired. Refurbished parts may be used to repair the goods.

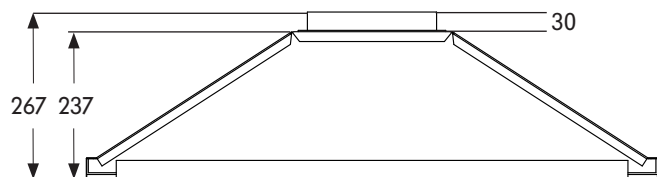
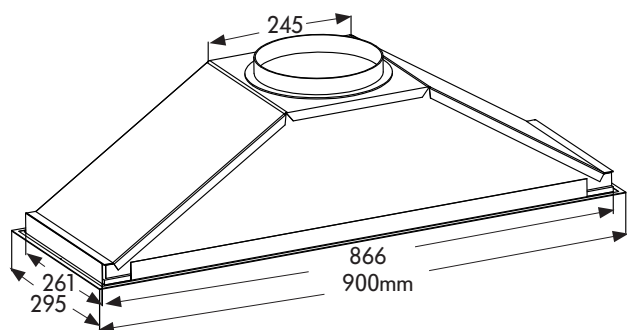
Schweigen Home Appliances products are designed and supplied for normal domestic use. We will not be liable to you under this warranty for business loss or damage of any kind whatsoever.

## **Costs of warranty claim**

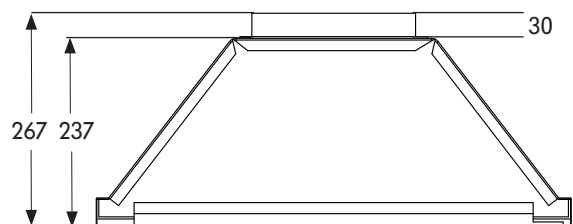
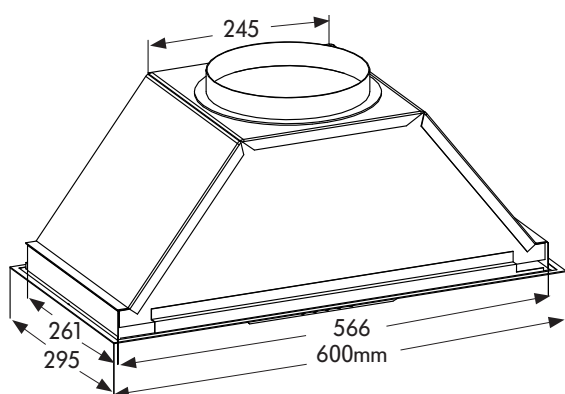
Where you make a claim under this warranty, a Schweigen Home Appliances authorized repairer may need to attend your premises to inspect the Schweigen Home Appliances product. Where the Schweigen Home Appliances product is located in Australia, we may charge you a service call fee if a repairer is required to travel more than 30 kilometres from the nearest Schweigen Home Appliances service centre to your location (services are Monday to Friday 9am to 5pm should you require a service agent to attend outside these hours you will be charged). A service call out fee will apply when the fault arises due to incorrect installation and where a service agent has attended the premises. Should the appliance be installed in such a way that a service agent is unable to have access to the appliance, the person or persons who own the premises or the appliance where the appliance resides will be responsible to provide access to the Appliance at their expense.

## DIMENSIONS

### EV-9UCQ



### EV-6UCQ



## TECHNICAL SPECIFICATIONS

<b>Model</b>	EV-6UCQ & EV-9UCQ
<b>Feeding Voltage</b>	220-240V 50Hz
<b>Lamp Power</b>	2 x 25W
<b>Approval Number</b>	

Under our policy of continuous product development, product specifications may change without notice. Prospective purchasers should therefore check with the retailer to ensure this publication correctly describes the products being offered for sale. All information supplied is to be used for general reference purposes only and is on the understanding that Schweigen Home Appliances will not be liable for any loss, liability or damage of whatever kind arising as a result of any reliance upon such information. All pictures used in the guide are for illustrative purposes only.



# Event

by **schweigen**  
HOME APPLIANCES

Distributed by: Unit 102/45 Gilby Road,  
Mt Waverley 3149 Victoria.



**1300 881 693 (EST)**

**[www.schweigen.com.au](http://www.schweigen.com.au)**