

# RANGEHOOD & INSTALLATION GUIDE

# GG-6C

Revision V1

**schweigen**

[www.schweigen.com.au](http://www.schweigen.com.au)

<b>1. Welcome</b>	3
<b>2. Your Safety</b>	
Warning	4
Before Installation	5
Product Use	6
Maintenance and Service	6
Electrical Cord	6
<b>3. Tips and Suggestions</b>	
For Users	7
For Installers and Users	7
<b>4. Description</b>	
Main Rangehood	8
Speed Control	8
<b>5. Operation</b>	
Control Panel	9
<b>6. Cleaning and Maintenance</b>	
Surfaces	10
Filters	10
Cleaning the Interior	11
Cleaning the Exterior	12
Replacing the Light Bulb	13
<b>7. Installation</b>	
Cabinet Cutout Size	14
Mounting Laws and Regulations	14
Mounting Points	15
Installation Example	16
Ducting	17
Back Draft Fins	17
Installation Advice	18
Roof Cowls/Roof Seal Kit	20
<b>8. Maintenance</b>	
Cooking with Induction Cooktops	21
Troubleshooting	23
Technical Specifications	23
Faulty Installation	24
<b>9. Specification</b>	
GG-6C	25
<b>10.Disclaimer</b>	26

Thank you for purchasing your new Schweigen rangehood.

To get the maximum output from this unit, please read through this guide before use.

The guide contains important information on the use and maintenance of the unit, as well as important safety notes. This will ensure your personal safety and the lasting value of your rangehood.

We trust that you will enjoy your new Schweigen rangehood.

**Please always retain your proof of purchase to aid in any warranty queries.**

If you are unable to locate your warranty card, one is available to download from our website **[www.schweigen.com.au](http://www.schweigen.com.au)**.

This appliance and its packaging are produced by processes that minimise waste and respect the environment.

Please help us to continue this effort to protect the environment by using the appliance efficiently and dispose of the packaging in a responsible manner.

### **WARNING**

Please read this section thoroughly before attempting to operate the appliance. Inspect your product upon receipt. Any damage or defects **MUST** be reported within **48** hours, or no claim will be recognised.

#### **DO NOT INSTALL THIS APPLIANCE IF YOU FIND IT DAMAGED.**

If this product is installed damaged, neither the supplier, nor the retailer, will be responsible for the costs associated with the repair, replacement, removal or re-installation of the appliances.

1. There shall be adequate ventilation in the room when the rangehood is used at the same time as appliances burning gas or other fuels.
2. There is a fire risk if cleaning is not carried out in accordance with the instructions.
3. Do not flambé under the rangehood. This will damage the rangehood and will not be covered by warranty.
4. Do not ignite burners that give off intense, uncontrolled flames beneath the rangehood.
5. Make sure that no flames emerge from the sides of pans.
6. Do not leave packaging materials (bags, corner brackets, etc) within reach of children.
7. This appliance is not intended for use by person/s (including children) with reduced physical, sensory or mental capabilities, or lack of experience and/or knowledge. Unless the person has been given supervision or instruction concerning the use of the appliance by a person responsible for their safety. Children should be supervised to ensure that they do not play with the appliance, it is not a toy.
8. Exhaust air must not be discharged into an existing flue that is used for exhausting fumes from appliances burning gas or other fuels.
9. Air exhaust must be installed in accordance with local laws. Regulations concerning the discharge of air have to be fulfilled.
10. Accessible parts may become hot when used with cooking appliances.
11. Before performing any cleaning or maintenance operation, disconnect the rangehood from the mains using the respective mains or sector switch or by unplugging it.
12. Do not use the rangehood without the grease filters.
13. Keep the grease filters clean and respect the recommended cleaning frequencies.
14. Turn the rangehood motor on before starting to cook.
15. Turn the rangehood motor off about 10-15 minutes after you finish cooking.
16. It is forbidden to use the rangehood as an aspirator.
17. Never cook foodstuff directly over the flame or have the gas burners on under the rangehood without using cookware.

## Before Installation

1. We recommend this appliance be installed or repaired by a qualified Schweigen Home Appliances technician.
  2. Please see our website [www.schweigen.com.au](http://www.schweigen.com.au) for recommended installers.
  3. It is dangerous to modify any part of this appliance. Modification of any kind, will immediately void the warranty.
  4. The manufacturer declines all responsibility in case of failure to adopt proper safety measures.
  5. Ensure that the location in which this appliance is installed, has good and permanent ventilation.
  6. Please consult local laws and regulations and install in accordance.
  7. Use an electrical connector with earth that is correct for your location.
  8. Check that the voltage in your area corresponds to the appliance as indicated on the rating label.
  9. This appliance must be connected to an electricity supply with a **ground connection**.
  10. Check that the installation and electrical connections are made by a qualified technician and that the indicated instructions and local regulations in force are met, using materials that are compliant with the applicable legislation.
  11. The company will not be responsible for installations executed by non-qualified staff and installations that fail to heed the applicable legislation on electrical safety (with regard to both modes and materials).
  12. The electrical technical data can be found inside the rangehood, after removing the grease filters.
  13. The flexible power cable supplied is already connected internally and emerges from the rangehood near the air outlet tube.
- 14. Before installing the electrical connections, you should:**
- Verify that the indicated electrical data coincide with the voltage values and frequency of the electrical circuit in the house where the rangehood is to be installed;
  - Check that the premises has electrical protection against short circuits and electrocution, pursuant to the applicable legislation;
  - Always switch off the current using the double-pole switch before maintenance and turn the power on again for normal use only when the operation has been completed.

## 2. Your Safety

### Product Use

This product is designed for household use and should not be used for commercial applications.

After use, always ensure that all controls are in the "OFF" position.

When frying with a gas flame, take particular care not to allow the oil or grease in the pan to catch fire. (Flambé)

### Maintenance and Service

The rangehood surface should be cleaned with soft cloth and non-corrosive detergent. Do not leave the rangehood wet after cleaning or use, please keep rangehood dry.

**IMPORTANT:** Never attempt to repair this appliance by yourself. Always refer to a qualified Service Technician.

Always switch off the electricity and unplug the connection before conducting maintenance or cleaning.

### Electrical Cord

Ensure the supply cord is not exposed to heat, chemicals or sharp objects. If the supply cord is damaged, it must be replaced by the manufacturer, service agent or a similarly qualified person in order to avoid a hazard.

The rangehood has one mode of operation:

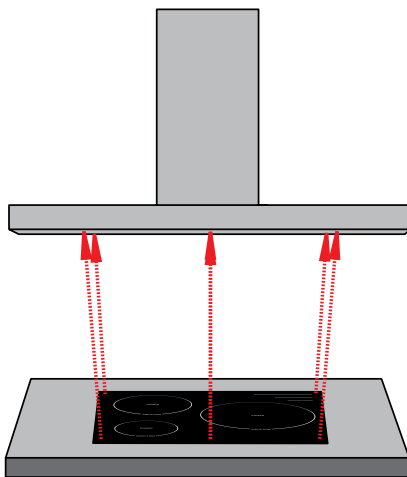
**Air extraction:** The air is drawn in and cleaned by the grease filters and directed outside. Please check the cleaning and maintenance section for the filters' cleaning periods.

### For Users

1. Do not leave the frying pan or fryer unattended, as the oil could overheat and catch fire.
2. Never flambé any foods beneath the rangehood. The flames could cause a fire.
3. Before carrying out any operation inside the rangehood, unplug the appliance from the electrical mains.
4. Respect the cleaning frequencies and intervals for changing the filters, as otherwise the accumulated grease could cause a fire or damage the product.
5. Changes made to the steel surface will render the warranty invalid.

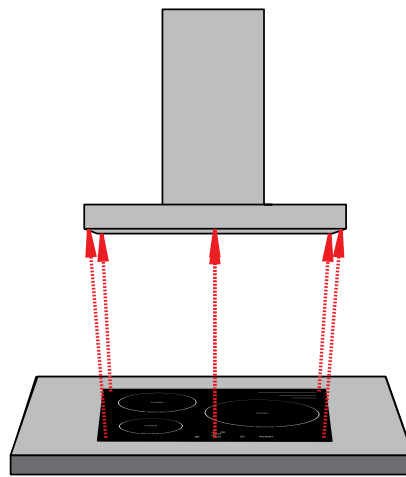
### For Installers and Users

1. In addition to the size, the height of the rangehood above the cooktop is important to obtain the best performance.
2. For recommended height, please refer to Mounting Laws and Regulations.



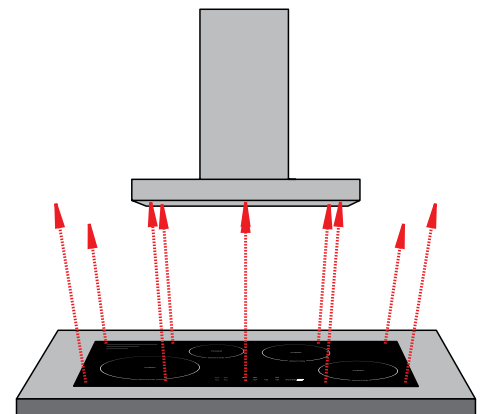
#### OPTIMAL

Rangehood bigger than the cooking area.



#### ADEQUATE

Rangehood equal to the cooking area.



#### INADEQUATE

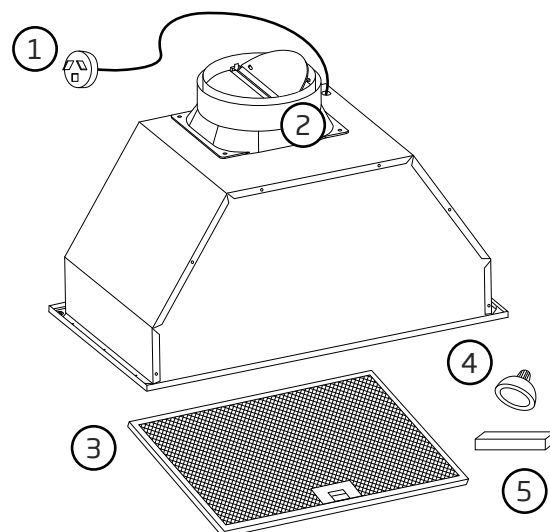
Rangehood smaller than the cooking area.

## 4. Description

### Main Rangehood

- ① Male Plug (Main Power 240V)
- ② Single Outlet 150mm
- ③ Filter
- ④ Lamps (For GU10 fittings, please twist to remove)
- ⑤ Oil Drip Tray

**NOTE:** Filter and light quantity may vary from model to model.



### Speed Control

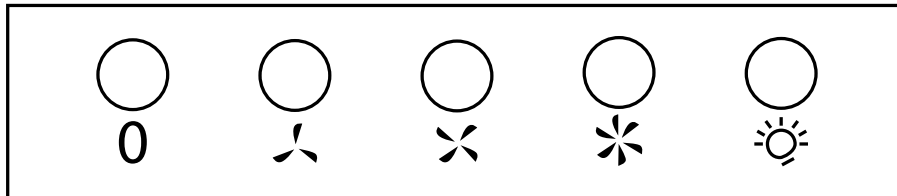
This undermount is equipped with a 3 speed mechanical control. Speed control usage suggestions:

- Low speed for simmering.
- Medium speed for light cooking.
- High speed for heavy frying or heavy cooking.



Schweigen silent rangehoods are recognised for their silent operation. Although this holds true for all of our rangehoods with external motors, one must note that the rangehoods are silent when they are used for regular cooking on the lower fan setting. Therefore, you will only hear the movement of air.

## Push Button Control Panel



- ① Turn off the rangehood
- ② Low speed setting
- ③ Medium speed setting
- ④ High speed setting
- ⑤ Turn on/off the lamp

## 6. Cleaning & Maintenance



### WARNING

Always switch off and disconnect power before cleaning.

## Surfaces

Wash with warm soapy water and a soft sponge. Never use abrasive detergent, scouring pads, steel wool or solvents on any part of this appliance. Always make sure to dry the appliance after cleaning and never leave wet, as this will cause irreparable damage.

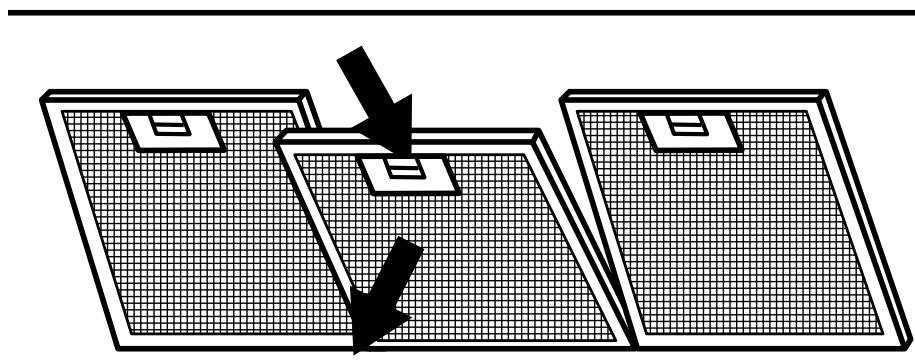
## Filters

- For this appliance to function effectively, regular maintenance is a must.
- The function of the filter is to absorb the grease particles given off during cooking.
- Clogged filters and heavy oil deposits restrict airflow and may cause the motor to overheat and become a fire hazard.
- Filters should be cleaned every 3-6 weeks or after 40 hours of use.
- Disconnect electricity connection before maintenance and cleaning process.
- To remove the filter press handle and remove it through the front guide; bend it slightly and remove filter. To replace, perform the same operation but in reverse.
- In ceiling-mounted rangehoods, the doors or glass must be opened before accessing the filters.
- For induction cooktop, please aim to clean them at least every 10 days, depending on use.
- The filters can be washed by hand or in the dishwasher.

**Washing by hand** - Immerse the filter in hot water and a suitable detergent and when clean, rinse with plenty of hot water.

**Dishwasher** - Put the filter in the dishwasher and select a short program at low temperature.

**NOTE:** The colour of the metal mesh filters may change after several washes. This is normal and it is not necessary to change the filters.





### **WARNING**

- If the grease filters are very dirty, the motor will extract only a small quantity of air, which reduces its efficiency;
- The grease deposits that build up on the filter are highly flammable and **COULD EASILY CATCH FIRE.**
- The manufacturer is exonerated from all responsibility in the event of fire due to poor maintenance of the grease filters.

## **Cleaning the Interior**

Clean the interior of the rangehood with a damp cloth and a neutral detergent or denatured alcohol.

**NOTE:** Do not use denatured alcohol on the exterior of the rangehood. Do not clean the electric parts or the motor with liquids or solvents

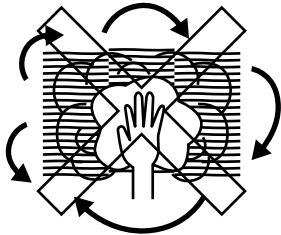
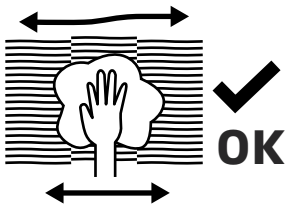
### Cleaning the Exterior

We recommended using a soft cloth, water and a liquid soap, rinsing it well and then drying it thoroughly. For better results, you can use high quality cleaning and protection products (eg. Steel Kleen) to clean your rangehood.



#### WARNING

- Make sure that the electrical power is off.
- The recommended detergent is a solution of water and a neutral liquid soap.
- It is very important for the liquid soap to not contain granules that could scratch the surface.
- First apply the solution to a soft cloth and then rub the cloth over the rangehood. It is important to follow the direction of the stained surface with the cloth (refer to figure on left).
- Do not pour any liquid directly on to the rangehood.
- The cloth must have no buttons, zips or fasteners that could scratch the surface.
- It is strictly forbidden to use chemical solvents, aggressive, grainy or abrasive products, naphtha, alcohol or similar products that could damage the surface of the rangehood.
- The manufacturer will not be held responsible for functional or aesthetic damage caused by cleaning with products which are not suitable or using inadequate cleaning methods.



## Replacing the Light Bulb

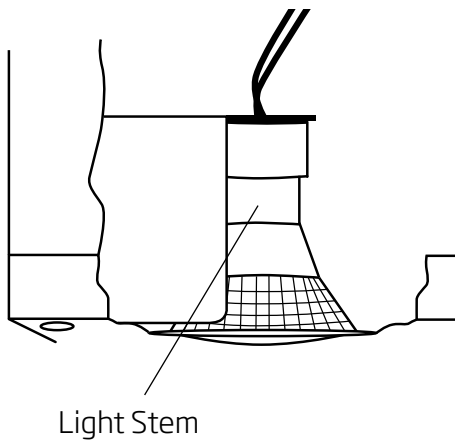


### DANGER

Always switch off and disconnect power before replacing the lights. Failure to do so may cause serious injury. Please be aware that the light bulb will retain heat for a short period of time after being switched off.

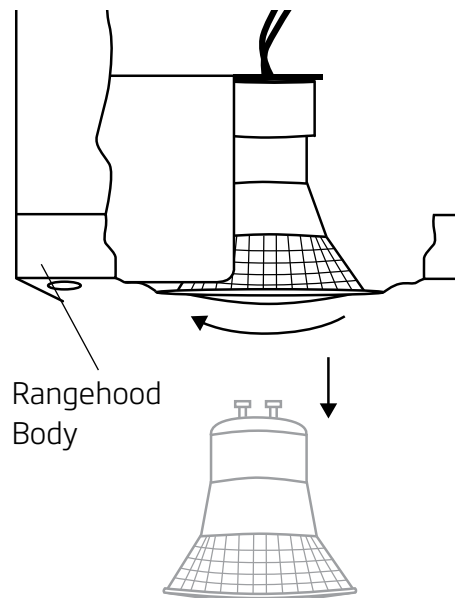
#### Step 1 (Optional)

Remove filter from the rangehood to get access to the light stem.



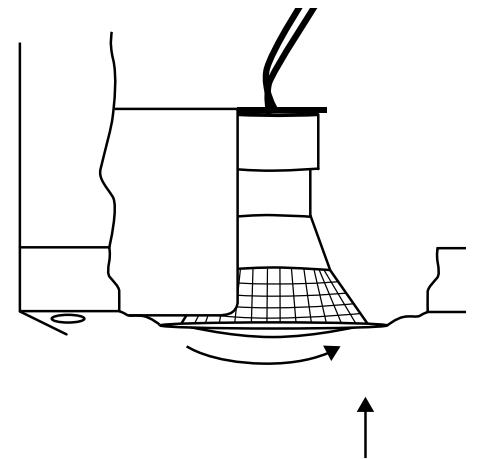
#### Step 2

Gently turn light bulb anti-clockwise, pull the light bulb down and remove it from the light holder.



#### Step 3

Insert a new light bulb by lining up the pins of the light bulb with the larger holes inside the light holder. Once the pins are in place, turn clockwise to secure the light bulb.





### **DANGER**

Always switch off and disconnect power before installing the rangehood. Failure to do so may cause serious injury.

## **Cabinet Cutout Size**

Present the rangehood to your cabinet maker so that they may take their own measurements and check that the rangehood fits in the cabinet correctly.

**NOTE:** Please make sure that all plastic protection on the rangehood and filters are removed before use.

## **Mounting Laws and Regulations**

The minimum distance between the cooktop and the lowest part of the rangehood should be:

### **For indoor kitchen area:**

650mm minimum to 750mm maximum (Electric and Gas Cooktop)\*

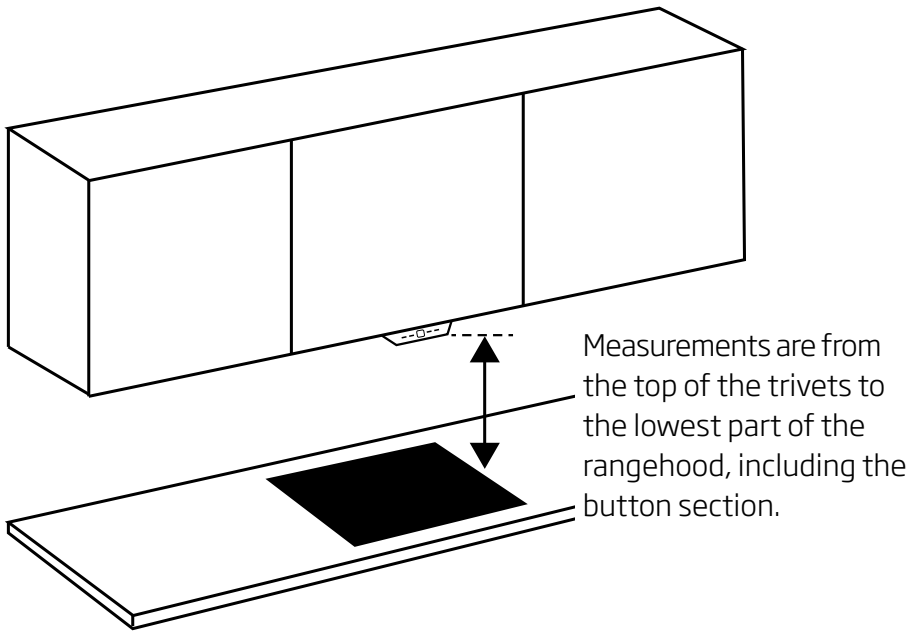
700mm is a minimum suggested height only for installing the rangehood over a Induction Cooktop, see Maintenance section.\*

The location of the installation must have permanent openings for ventilation.

Regulations concerning the expelling of air have to be fulfilled.

**NOTE:** It is strongly recommended that the rangehood be installed centrally over the cooktop, this will greatly improve its performance.

**\*IMPORTANT: Please check all State and Federal Laws in relation to the minimum - maximum heights, regulations concerning the expelling of air and install your rangehood in accordance with local laws and regulations.**

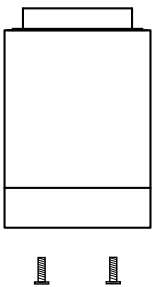


## WARNING

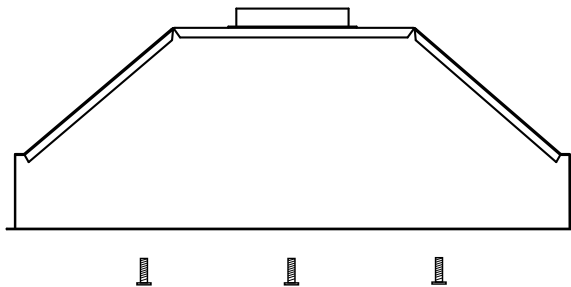
If the user decides to install the rangehood at a distance of less than minimum height above the cooking surface, the company declines responsibility for damages suffered by the rangehood due to excess heat or damage to objects, people and others caused directly or indirectly by a malfunction, breakage or fire. See Mounting Laws and Regulations.

## Mounting Points

SIDE VIEW



FRONT VIEW



## DANGER

Always switch off and disconnect power before installing the rangehood. Failure to do so may cause serious injury.

**NOTE:** Please make sure that all plastic protection on the rangehood and filters are removed before use.

### Installation Example



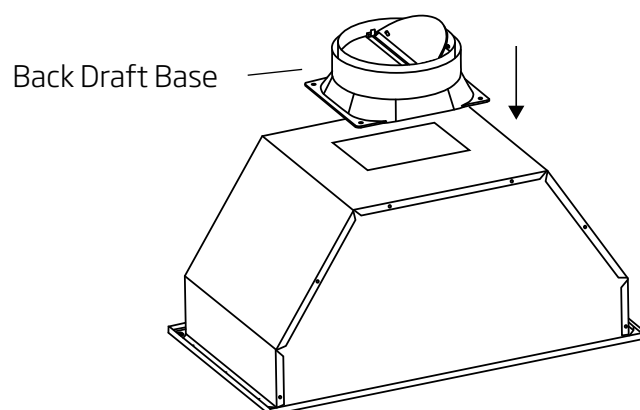
#### WARNING

Please remove filters before installations. Failure to do so may damage the clips.

#### Step 1

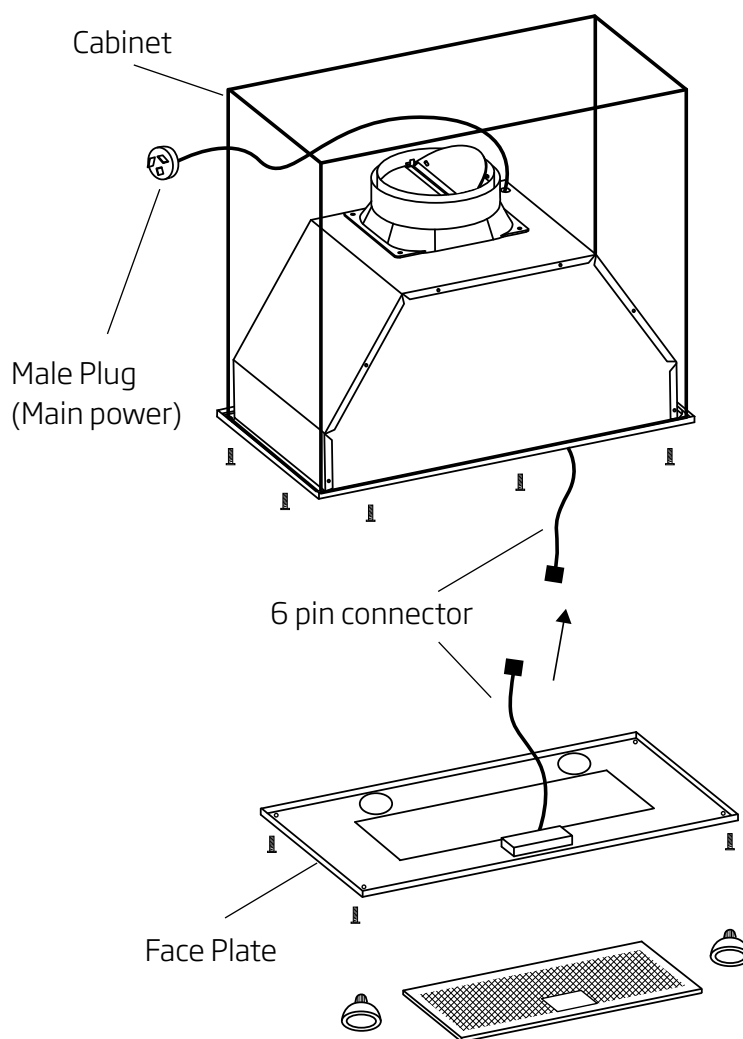
Please make sure the cut out size is correct before installing the rangehood.

Install the back draft base to the rangehood.



#### Step 2

Secure the undermount into cavity using screws. All screws are installed from the bottom of the rangehood into the cabinet.

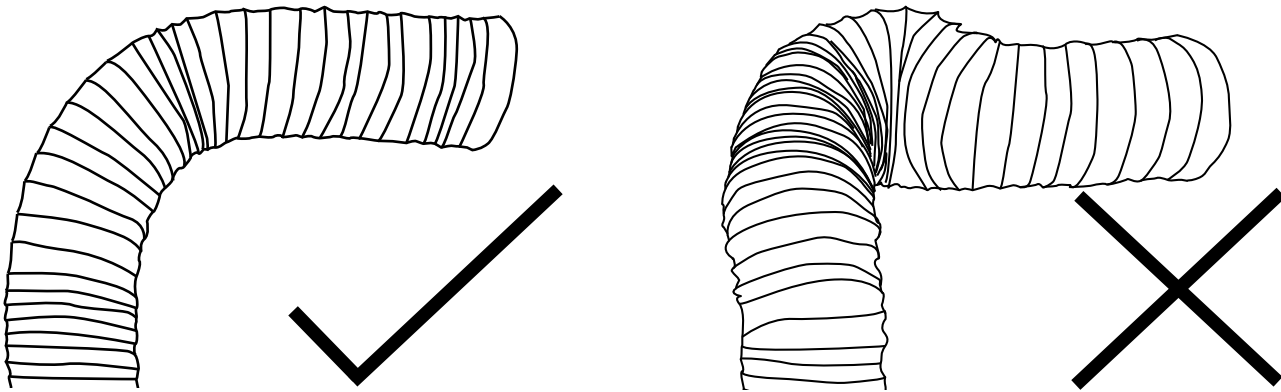


#### Step 3

Connect the 6 pin connector (on the face plate) to the rangehood before securing the face plate to the cabinet using provided screws. Insert the light globes and filter into place last.



## Ducting



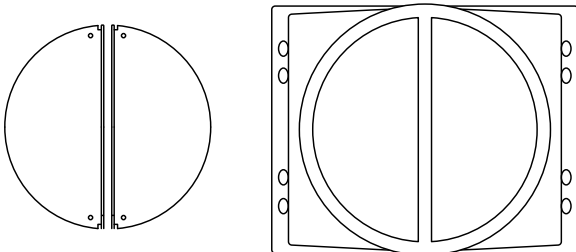
Please do not crush or kink ducting, as it will reduce air flow and may cause noise to occur through the system. Ducting needs to be kept taut at all times.

## Back Draft Fins

Should your Back Draft Fins get stuck, this is not a warranty issue.

When installing Back Draft Fins, please ensure that you insert the Back Draft Fins onto the back draft base, which are attached to the top of the motor outlet before installation.

**NOTE: Please make sure when ducting is installed, that it does not impede the Back Draft Fins from operation.**



Back Draft Fins

Back Draft Base

### Installation Advice

- Never reduce flue diameter right next to the rangehood outlet fitting, refer to figure 1.
- Never fit reductions next to curves or bends in the installations. They must always be in straight sections and as far as possible from the rangehood, refer to figure 2.
- Avoid excessive reduction of the flue size, as this drastically reduces extraction capacity, refer to figure 3.
- Use an air extraction flue which is as short as possible.
- You should not have more than one blend in the installation, refer to figure 4.
- Keep the curves or bends to a minimum. If they do exist, try to keep the angles as open as possible, refer to figure 5.

Figure 1

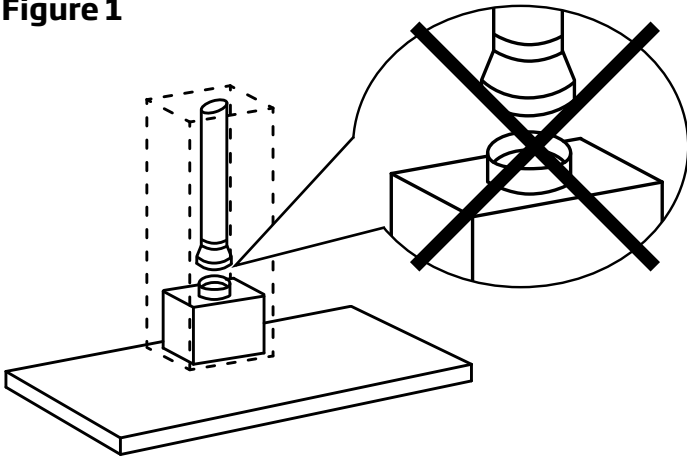


Figure 2

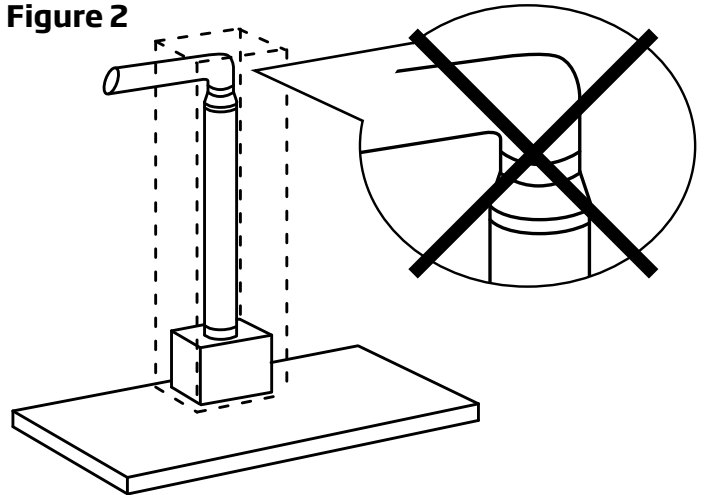


Figure 3

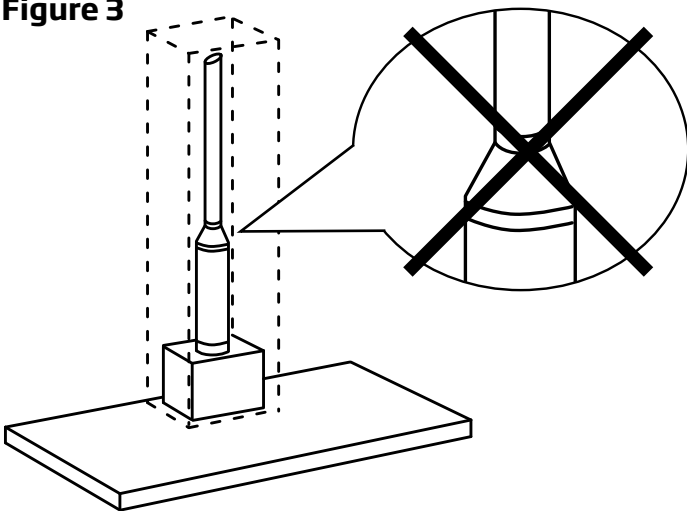


Figure 4

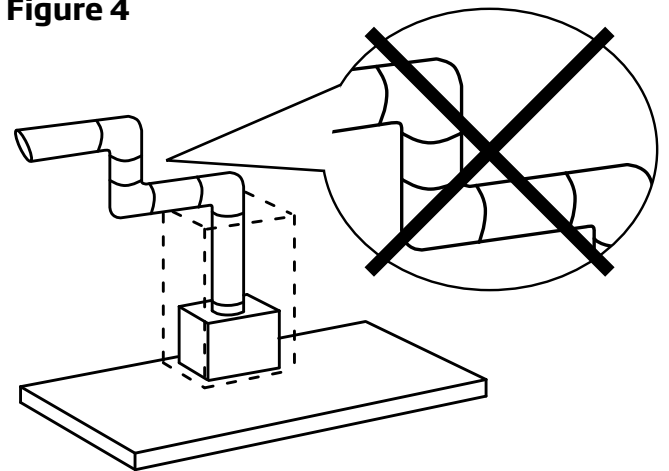


Figure 5

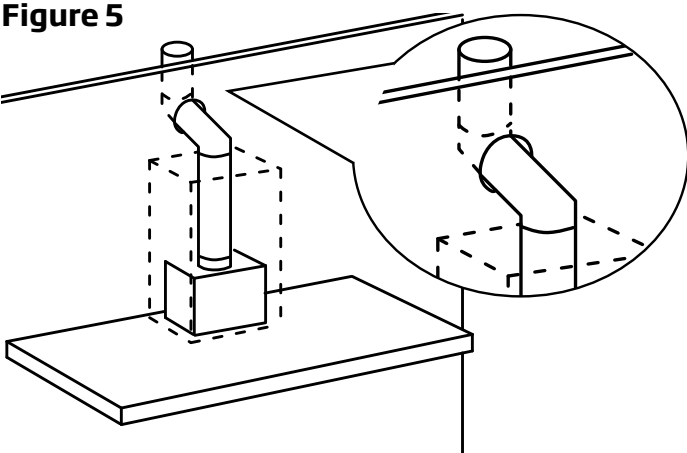
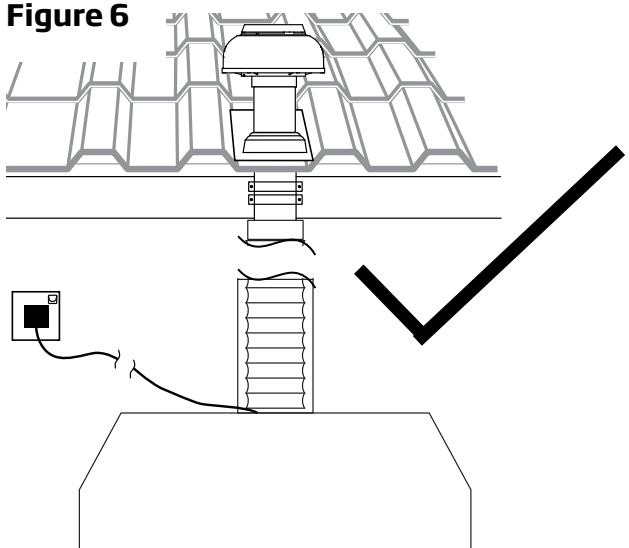


Figure 6

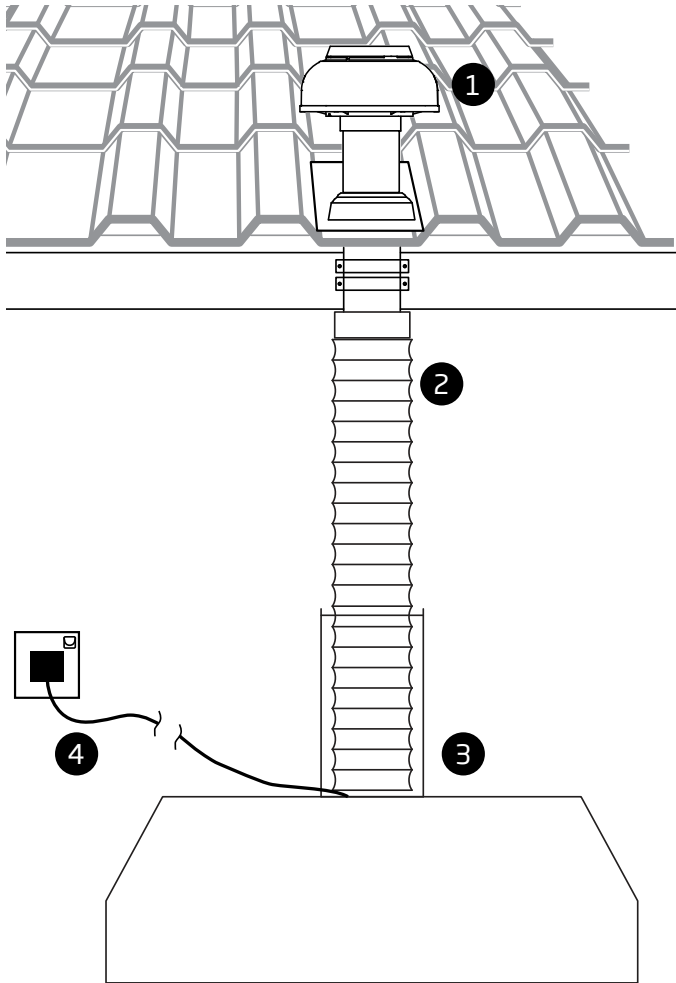


### Roof Cowls / Roof Seal Kit



#### WARNING

All electrical wiring should be kept inside the roof space.



- ① Roof Cowls\*
- ② Flexi Ducting must be pulled taut. **DO NOT** crush or kink the ducting.
- ③ Connect flexi ducting to the outlet on rangehood using duct tape or cable tie. Please **DO NOT** rip the ducting.
- ④ Main Power Lead (Male Plug)

**\*NOTE:** Motor system does not include the roof seal kit/roof cowls, cable tie, duct tape or the support straps.

For best result, please install ducting in a straight line and duct length no longer than 4 metres.

## Cooking with Induction Cooktops

Cooking with an induction or similar cooktop, may produce condensation on the rangehood.

Unlike basic electric or gas cooking, induction cooktops heat food and liquid instantly, which in turn, produces vapours rapidly. Because of this faster process, the rangehood filters do not have enough time to warm, which increases the chance of condensation forming.

There are many variables that may contribute to condensation forming, some of which include but are not limited to:

- Variance in climate - geographical location
- Position of your home & kitchen - morning/afternoon sun
- Distance from cooktop to the rangehood
- Speed of food & liquid heating
- Angle of ducting - Schweigen 'S' bend preferred
- Filter size - larger canopy preferred
- Quality of pots or cookware you are using - high quality recommended

### **How to reduce the possibility of condensation forming:**

- Ensure the rangehood is installed by a qualified professional, carefully following installation guide
- Turn on the rangehood 5-10 minutes prior to cooking, and leave on for 5-10 minutes after cooking; this helps clear remaining vapours from the flue.
- Start the cooking process at a low-to-medium setting and allow time for the rangehood to become warm.
- Clean filters regularly.
- Ensure constant airflow in the cooking zone; this helps optimise the rate of extraction.
- Follow all induction cooktop manufacturer advice.

For further advice, tips or information regarding cooking with induction, please contact the induction cooktop manufacturer.

### Troubleshooting

#### If the product does not work:

Before you contact the technical service department, make sure that the product is plugged in, the electric fuse (on selected models) is in correctly and electric wiring is connected. (Fuses can be purchased from your local electrical dealer or hardware store). Weak air suction may be caused by back draft fins remaining closed. Do not take any action that will damage the product.

	Check electric connection. Voltage of the electric network should be between 220 - 240V, rangehood should be connected to grounded plug and turned on.	Check motor switch. Please ensure that there is power to the rangehood and the rangehood is switched on.	Check lamp switch. Lamp switch should be at on position.	Check metal filter. Metal filter should be washed regularly, see filter cleaning.	Check lamps. Lamps should be firm.	Check outlet. Outlet should be open.	Check lamps and fuse. Make sure they are not broken or faulty.	Please make sure there is no obstruction in ducting or back draft fins.	Check the outlet, make sure it is not blocked and you have the correct diameter ducting installed.	Check Isodrive installation manual, make sure the flexi ducting is installed correctly, eg. Length of ducting used, keep the ducting taut.
Rangehood does not work	X	X								
Light does not work	X		X		X		X			
Rangehood air suction is weak				X		X		X	X	
Rangehood does not direct air out (through chimney)				X				X		
Loud noise from the rangehood									X	

### Technical Specifications

<b>Model</b>	GG-6C
<b>Feeding Voltage</b>	240V 50Hz
<b>Lamp Power – Halogen (W)</b>	2 x 35W (supplied)

### **Calling the Technical Assistance Service Hotline**

In the event that the failure is not due to the faults mentioned in Trouble Shooting, contact the Technical Service 1300 829 066.

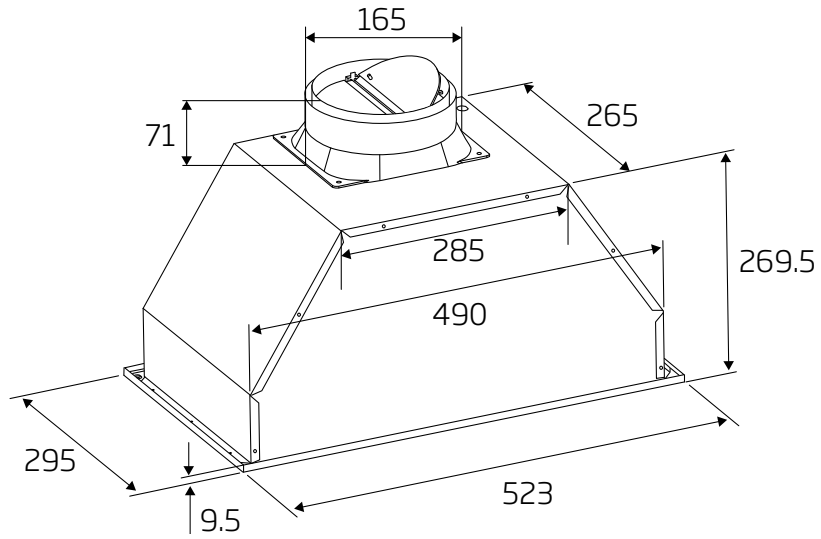
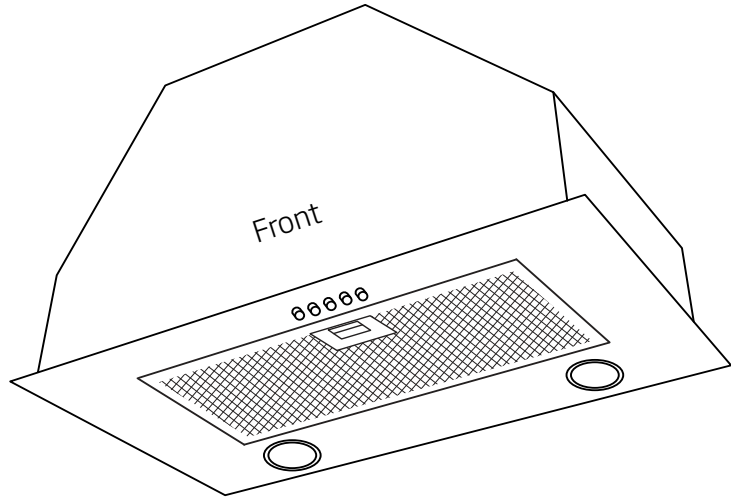
A service request will require the following information:

- The purchase date
- The rangehood model and motor type
- The rangehood serial number or batch number (this number is on a sticker inside the rangehood)

### **Faulty Installation**

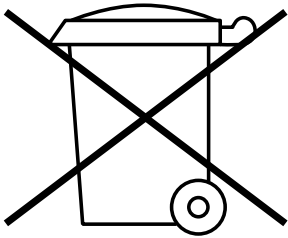
It is not the responsibility of Schweigen Home Appliances to rectify any incorrect installations. A service call out fee will be charged for any Schweigen technician that attends a call, whereby it's established that the fault is due to an incorrect installation or non-manufacturing fault. Should the appliance be installed in such a way that the service agent is unable to gain access to the appliance, the person/s who own the premises or the appliance where the appliance resides – will be responsible to provide access to the appliance at their expense.

# 9. Specification





Under our policy of continuous product development, product specifications may change without notice. Prospective purchasers should therefore check with the retailer to ensure this publication correctly describes the products being offered for sale. All information supplied is to be used for general reference purposes only and is on the understanding that Schweigen Home Appliances will not be liable for any loss, liability or damage of whatever kind arising as a result of any reliance upon such information. All pictures used in the guide are for illustrative purposes only.



The symbol on the product or its packaging indicates that it cannot be treated as normal household waste. Take this product to your nearest electrical and electronic equipment waste point for recycling. By correctly disposing of this product, you will be helping to prevent potentially negative consequences for the environment and public health, which could arise if this product is not handled in the appropriate way. For more details about the recycling of this product please contact the authorities of your city or town, your local household waste service or the store where you purchased the product.





# schweigen

Distributed by:



axisgroup

8/3-4 Anzed Court,  
Mulgrave 3170 Victoria.  
1300 881 693 (EST)

[www.schweigen.com.au](http://www.schweigen.com.au)