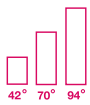
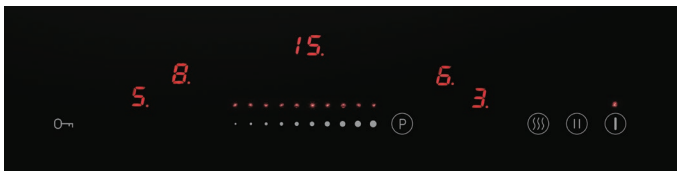


INDUCTION COOKTOPS

>> INDUCTION COOKTOP

schott ceran / 77cm // INID77

schweigen IN.



Pre-set Cooking Programmes

Effortlessly adjust to an accurate heat. 42°C is ideal for melting butter and chocolate, 70°C for reheating soups and casseroles, 94°C for pasta or rice without mess.



Bridge Function

You can combine two heating zones and control them simultaneously.



Stop & Go

Pause all active functions at a touch. When you return, one more touch restores your original settings.



Child Lock

Prevent the cooktop from being accidentally activated.



Timer

You can set a cooking time for each individual zone of your cooktop.



Square Heating Zones

Innovative square inductors ensure you get complete coverage to the base of your vessel, even popular griddle plates.



4 X Booster

This feature allows you to borrow power from an adjacent zone to achieve a more rapid boil.



Residual Heat Indicator

Alerts you that the heating zone remains hot even though its no longer in use.



INDUCTION COOKTOPS

>> INDUCTION COOKTOP

schott ceran / 77cm // INID77

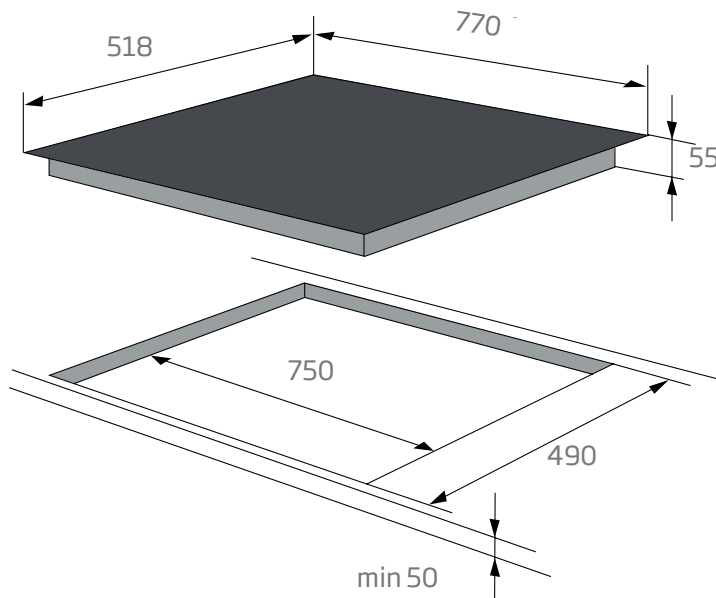
DESCRIPTION

- 9 power levels
- preset cooking temperatures
- bridge function
- stop & go function
- child lock
- timer
- boost function to all zones
- residual heat indicator
- direct touch control slider
- German made Schott Ceran surface
- bevelled front and side edges

TECHNICAL DATA

Booster induction zones

- 2: 22 x 19 cm - 3 kW
- 1: 26 cm (2.6 kW)
- 1: 21 cm (2.3 kW)
- Bridge: 22 x 38 cm (3.6/5.5 kW)
- dimensions: (H x W x D)
55 x 770 x 518 mm
- 32 amp, hardwired connection



INSPIRING
INNOVATIVE
INTELLIGENT