

RANGEHOOD FEATURES

>> PERIMETER ASPIRATION

schweigen **IN.**

PA

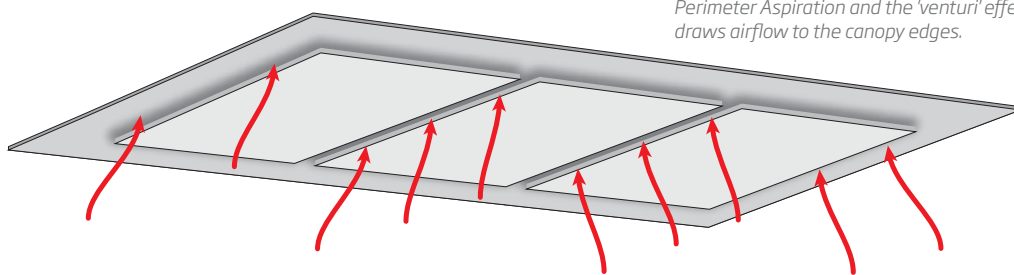
**PERIMETER
ASPIRATION**

The **Perimeter Aspiration** system (P.A.) uses an additional panel of glass or stainless steel to create a 'venturi' effect, which helps capture smoke, steam, grease and oil more effectively.

Airborne particles from the cooktop are targeted to the outer perimeter of the canopy where intake is restricted, and it is this narrow space which causes an increase in airflow velocity. The more quickly the airborne particles are captured, the less 'leakage' there is into the surrounding cooking zone.

This technology is particularly effective because it relies upon the high extraction power of the Schweigen **IN.** silent Isodrive® motor.

Perimeter Aspiration system panels are easy to clean and open in order to access and remove the filters underneath, for safe cleaning in the dishwasher.



Balanced Aspiration

Uses a unique perforated panel behind the filters. This creates a higher than normal level of suction at the extremities, producing an even and balanced capture of grease, fat and oil.



Rangehoods featuring Perimeter Aspiration

MODELS

KLS-9GLASSBLKS, 895 x 295mm, black glass

KLS-9GLASS, 895 x 295mm, white glass

CC-SURF2S, 1300 x 800mm * May require a bulk head for installation

CC-INARTS, 2000 x 1000mm * May require a bulk head for installation

CC-PARA4W: 1 control module, 3 subordinates (white)

RANGEHOOD FEATURES

>> BALANCED ASPIRATION



The **Balanced Aspiration** system (B.A.) is a breakthrough in domestic rangehood appliance technology and features exclusively on models in the Schweigen **IN.** collection.

The system consists of an outer filter which captures grease and oil from airborne particles, and an inner plate.

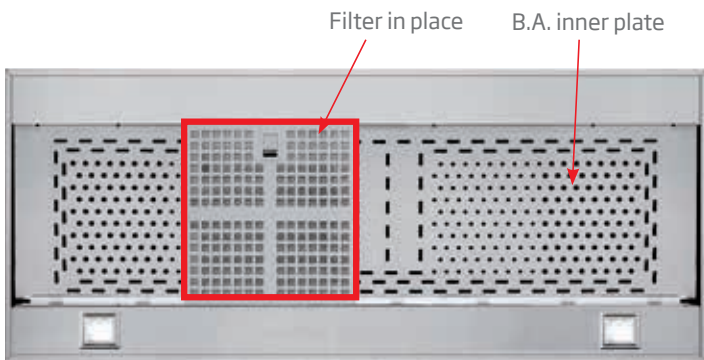
The inner plate is perforated with strategically shaped and spaced holes which help to spread the intake of air more evenly across the filtration zone before it is

extracted through the grease filter.

The plate also acts as a barrier, stopping grease from accessing inner mechanical and electrical components, making it more hygienic and safe over long term use.

The **Balanced Aspiration** system is particularly effective because it relies upon the high extraction power of the Schweigen **IN.** silent Isodrive® motor.

The outer filters are easily removed for cleaning and are dishwasher safe. Once removed, the inner plate can then be wiped clean.



B. A. System internal Details

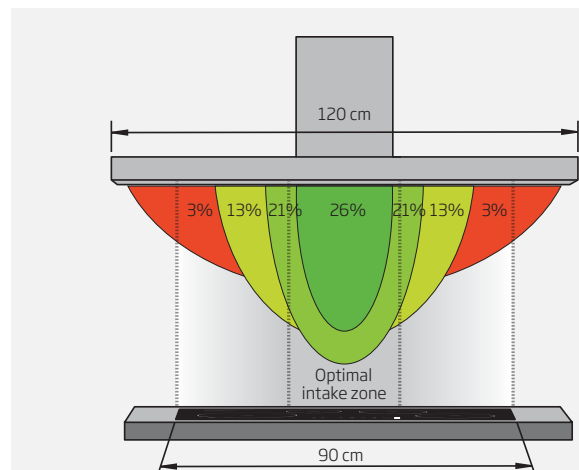
Note: Approximate data, results of the average behaviour of all the products in the range. *Only available on selected models.



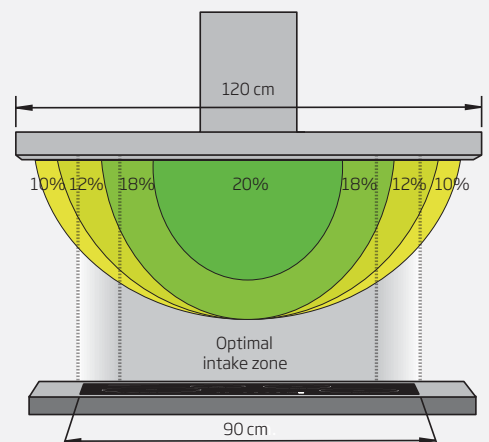
Example of rangehoods featuring Balanced Aspiration

MODEL OPTIONS

WM-LIN9S, 900 x 520mm, stainless steel



TRADITIONAL
Optimal Intake Zone: 30% of the cooking zone.



B. A. SYSTEM
Optimal Intake Zone: More than 80% of the cooking zone.*