



ISOLATION DRIVE TECHNOLOGY

Installation Manual for isodrive 1600 Motor

Important Notice

- **Do not install this appliance if you find it damaged!**
- Please inspect this product upon receipt.
- Any damage or defects **MUST** be reported within 24 hours otherwise no claim will be recognized.
- If this product is installed damaged, neither the supplier, nor retailer, will be responsible for the costs associated with the repair, replacement or removal and re-installation of the appliance.
- All enquiries regarding these products should be forwarded to our International Agents as listed.
- The manufacturer cannot be held liable for damage resulting from incorrect or improper user or operation.
- Schweigen reserves the right to change the specification without notice.
- Roof flashing (Dektite) and duct tape are not included.
- Please supervise the elderly the infirm and children when using this appliance this refers persons (including children) whose physical, sensory or mental capabilities; or lack of experience and knowledge prevents them from using the appliance safely without supervision or instruction. Children should not play with the appliance, it is not a toy.

schweigen
HOME APPLIANCES

Schweigen Pty. Ltd.
P.O. Box 471 Maylands WA 6051
Ph: 1300 881 693 **Fax:** 1300 881 639

This manual is for the installation of the motor used in the ISODRIVE systems after the canopy/ rangehood or bathroom extraction grill has been mounted on the wall or ceiling. (Refer to canopy/rangehood or bathroom extraction unit installation manual)

Motor Features

- Roof and wall mounting with IPX4 degree of weather protection.
- Super quiet, long vane, backward curved centrifugal fan.
- Airflow is dependant on installation and the ducting used. Using a single 200mm flex duct run you should attain up to 1600m³/hr depending on the ducting installation. The use of a smaller 150mm pipe would result in a loss of airflow.
- Simple installation: mounts onto a 150mm PVC stormwater pipe for ultimate strength and allows for easy Dektite roof sealing.
- Industrial quality motor and fan made in Germany and rated at 40,000 hours.
- Motor is a high efficiency PSC type and rated at 135W costing around the same as two 70W light globes to run.
- WARRANTY 10 YEARS return to manufacturer. Covers faulty manufacturing or components. It does not cover normal wear and tear.

General Notes on Installation and Use

This fan unit is designed to be installed using 150mm PVC pipe as the initial connection duct to the fan module, and is supplied with a 150mm PVC pipe to 200mm flexible duct bell-mouth adaptor.

This fan is suitable for connection to multiple duct runs with a minimum inlet area of 22,000mm² and length up to 20 metres (check with supplier if longer duct length required). Where possible flexible ducting must be extended sufficiently to present a smooth air passage with bends of at least the radii of twice the diameter of the duct.

Warning: The rangehood must not be ducted into a wall cavity or a ceiling space, where a build up of grease can occur and become a potential fire risk.

Note: Fan module and dual foil flexi-duct are acoustically matched. Use of semi-rigid or rigid ducting will result in increased noise and void warranty. See installation instruction notes 'Why flexi-duct'.

Recommended Installation Distance

1600 motor: Recommended 5 metres or more of flexi ducting.

Note: Although less than 5 metres will increase extraction power this will result in higher noise level. Maximum duct length 20 metres. Check with supplier if longer duct length is required. Do not reduce the duct size at any time and avoid sharp bends.

Minimum Mounting Height

This fan unit is intended for mounting at a minimum height of 2.1 metres (measured to the lower part of the fan impeller) above a floor or the ground.

Avoidance of Back Flow

Care should be taken to avoid the back flow of gases into the room from the open flue of gas or other open fire appliances.

Safety of Children

This fan is not intended for use by young children or infirm persons without supervision.

Replacement of supply cord

If the supply cord is damaged, it must be replaced by a service agent or suitably qualified person in order to avoid a hazard.

Why Flexi-duct

Some internet sites strongly recommend the use of rigid ducting over fully flexible ducting. This may well be the case with conventional rangehoods with in hood fans.

Schweigen's unique Isodrive system works in the opposite way to conventional rangehoods, pulling air through the hood and acoustically matched ducting producing almost silent high volume flow. The use of a complete rigid or semi-rigid ducting system will allow an organ piping effect to occur; like a didgeridoo where a noise is produced at one end of a hollow rigid pipe and the noise is amplified out the other.

The Isodrive system puts the noise outside the house and it needs to be kept there.

Warning: Installation without the use of at least the minimum recommended length of acoustically matched flexi-ducting in the system will void performance expectations. Any installation problem must be reported to Schweigen. Call outs relating to incorrect installation will result in a service fee direct to the customer. Schweigen takes no responsibility for problems caused by faulty installation. Faulty installation may void warranty. A preferred installer list can be obtained from Schweigen website www.schweigen.com.au or call **1300 881 693**.

Roof Installation (Recommended duct length: 1600 motor - 5m)

Mount 150mm rigid PVC pipe securely to beams, trusses or other appropriate structures: refer figure 1. The pipe should be mounted vertically with the roof penetration being sealed using a Dektite or other appropriate sealing membrane or device.

Ensure that the PVC pipe protrudes at least 50mm past the top of the Dektite, checking that the fan assembly clears the roof cladding at upper edge, refer figure 1.

Pass power cord and plug through mounting flange and pipe, then out the slotted PVC pipe for connection to the female plug coming from the canopy/rangehood

Do not insert plug into socket outlet or switch on until installation has been completed. Fit fan module to pipe and fix in position using side locking screw.

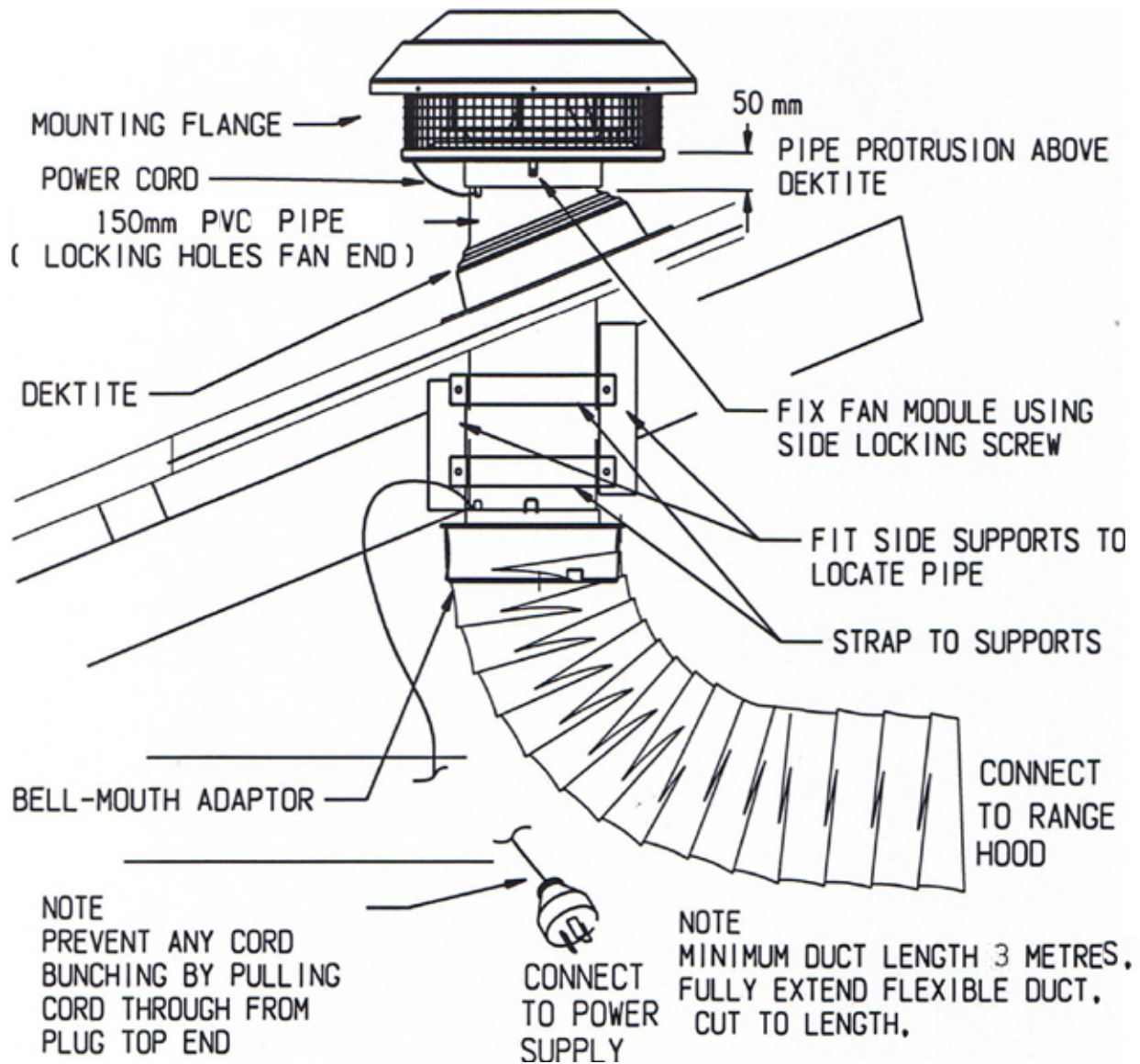


Figure 1 Roof Mount Option

IMPORTANT PLEASE TAKE NOTE:

For Flexible ducting instructions refer to Page 8 and 9

Wall Installation

The installation is similar to roof mounting ensuring that the pipe extends at least 50mm past the wall surface refer figure 2. If the pipe length is shortened reproduce the power cord exit slot on the inside of the wall.

Note: The weather shield must be fitted to the top cover side flange using the 3 screws provided.

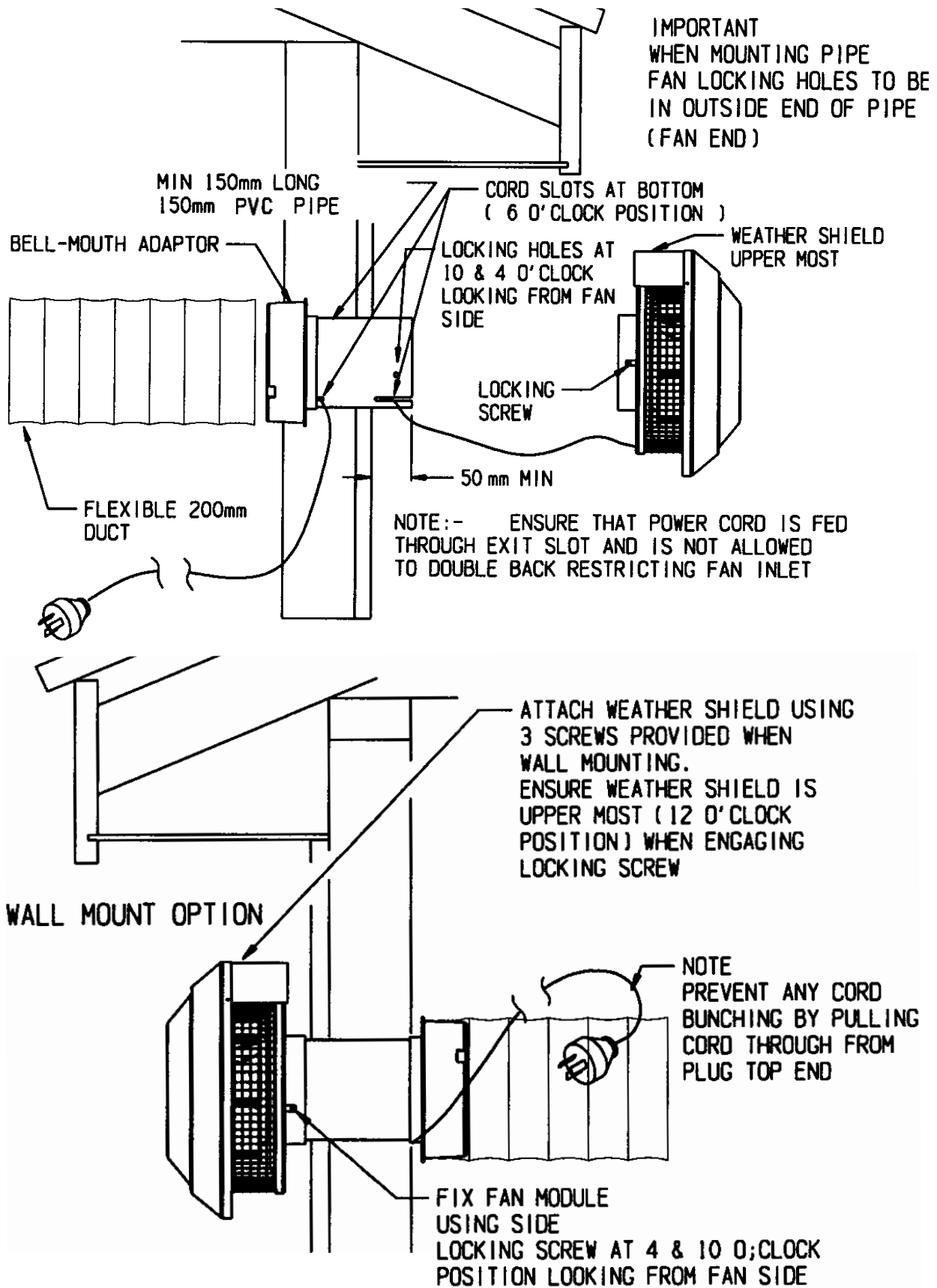


Figure 2 Wall Mounting Option

Wall Installation

Wall mounting instructions showing optional wall mounting flange fitment.

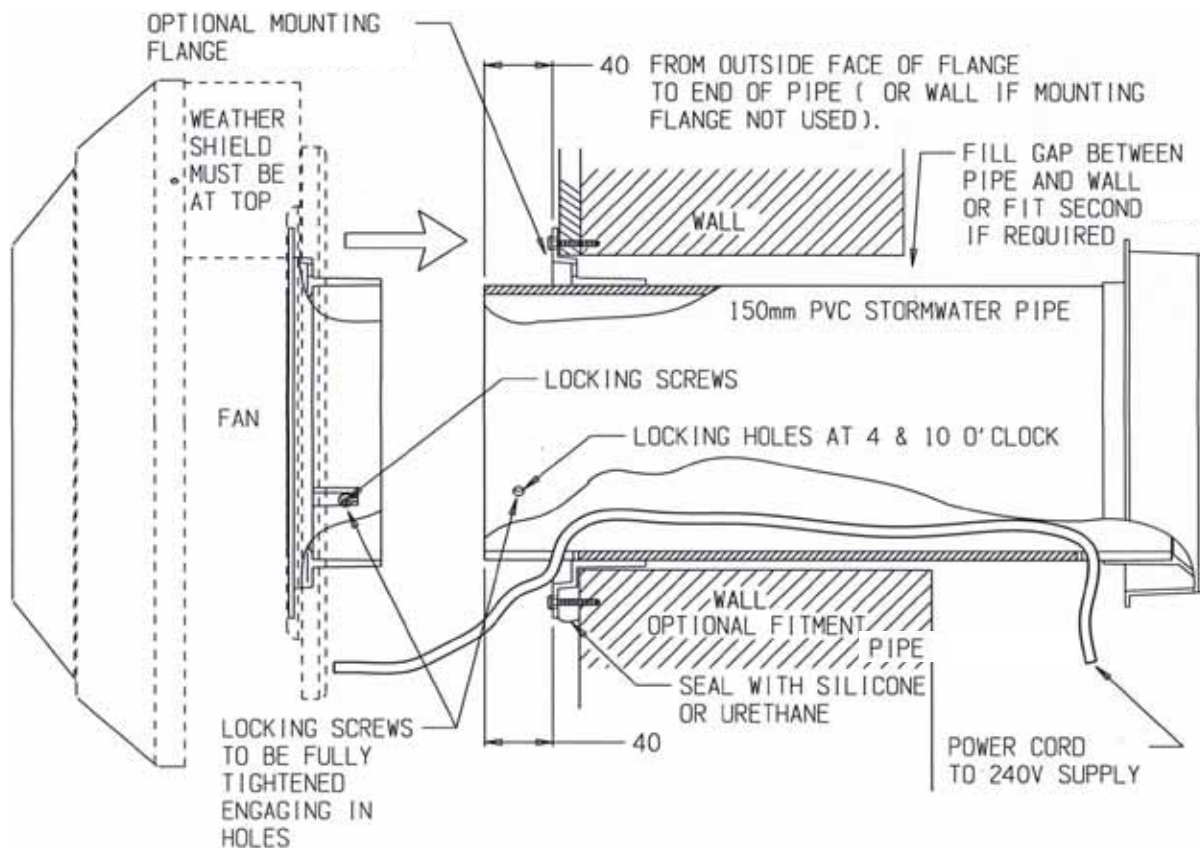


Figure 3

IMPORTANT PLEASE TAKE NOTE:

For Flexible ducting instructions refer to Page 8 and 9

Flat Roof Installation

Flat roof mounting using optional mounting flange.

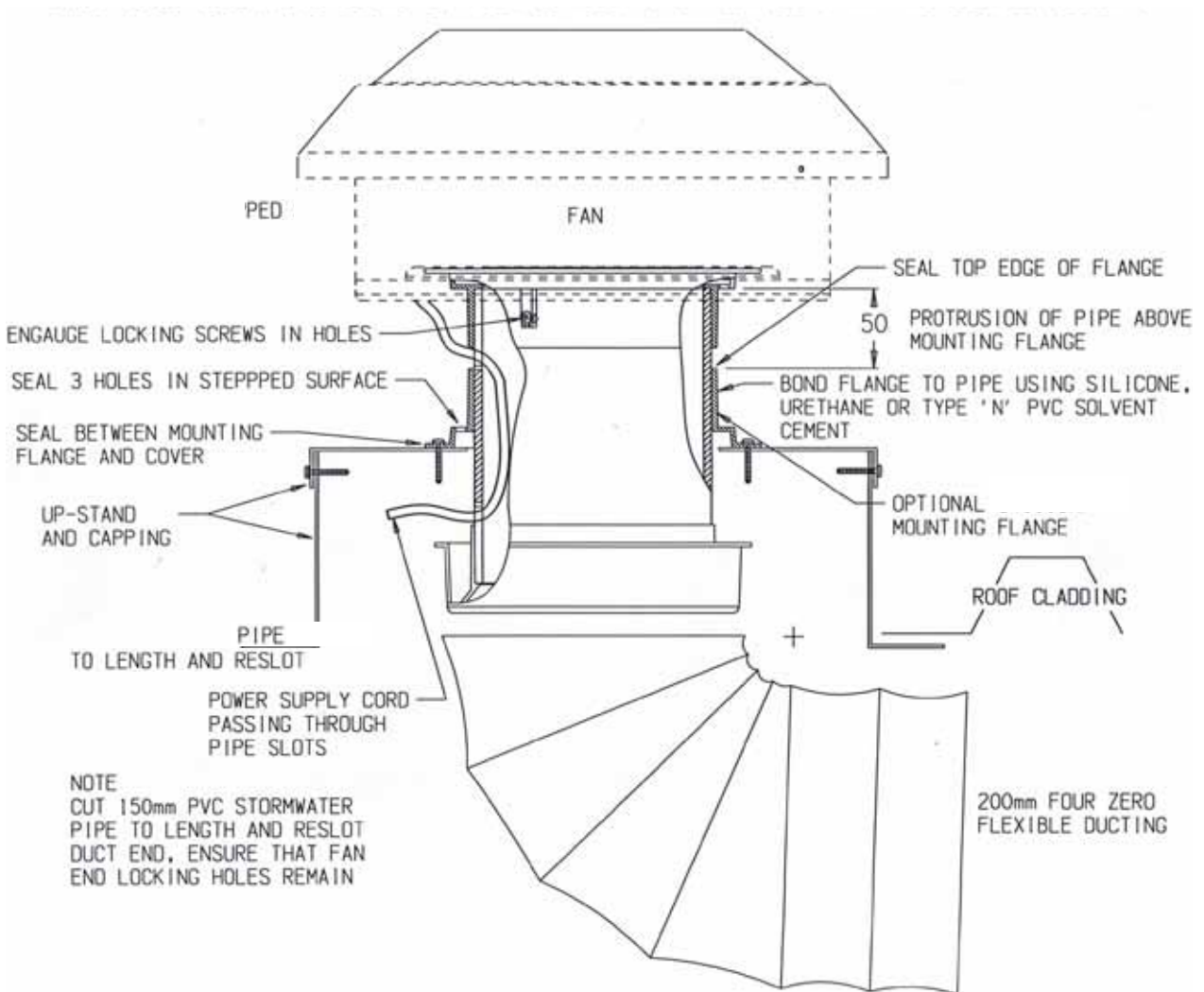


Figure 4

IMPORTANT PLEASE TAKE NOTE:

For Flexible ducting instructions refer to Page 8 and 9

Twin Motor Installation

Where two motors are to be used, follow the method below each motor should have a separate flue pipe. Refer figure 5. The two motors can be wired by an electrician.

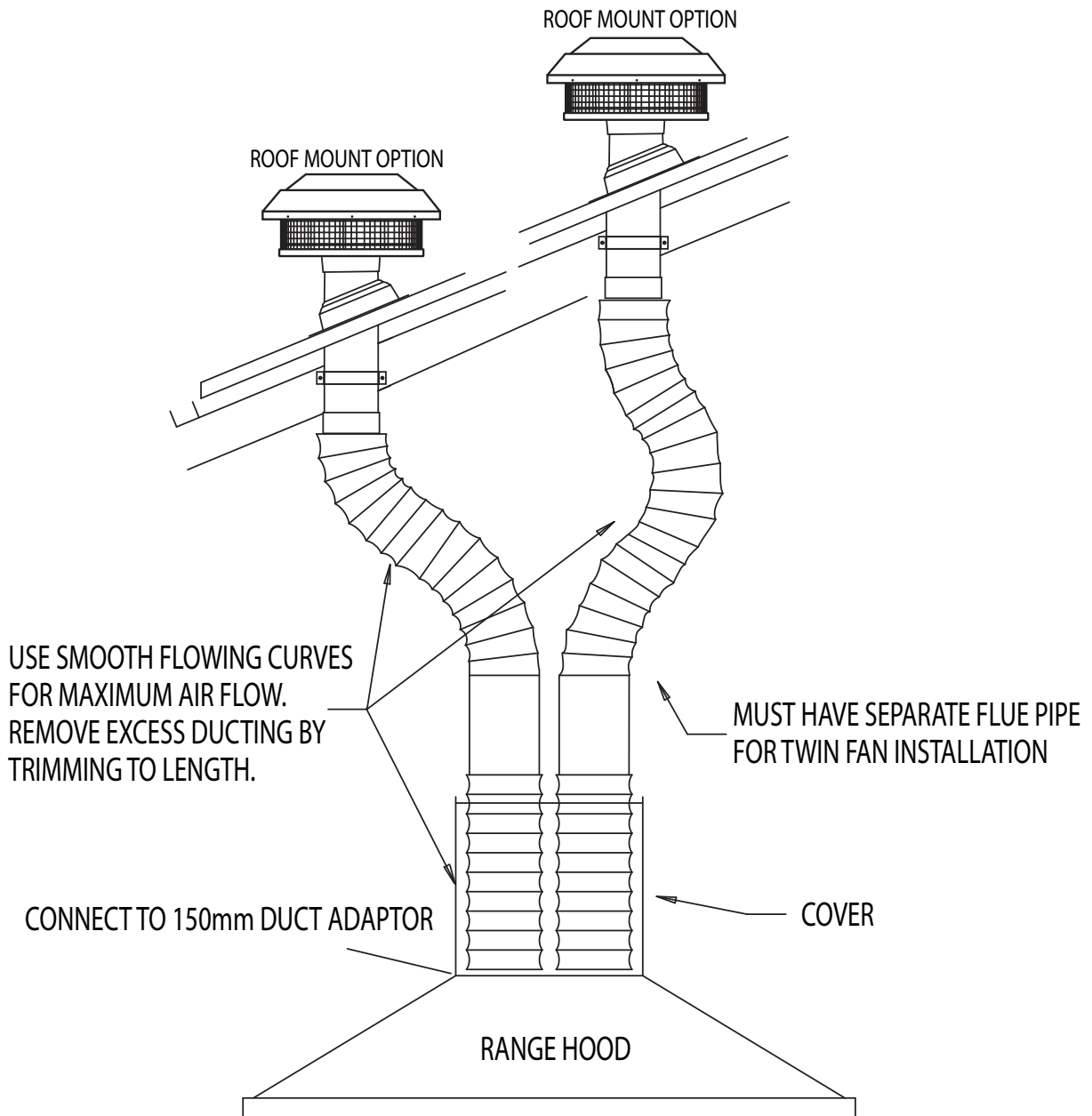


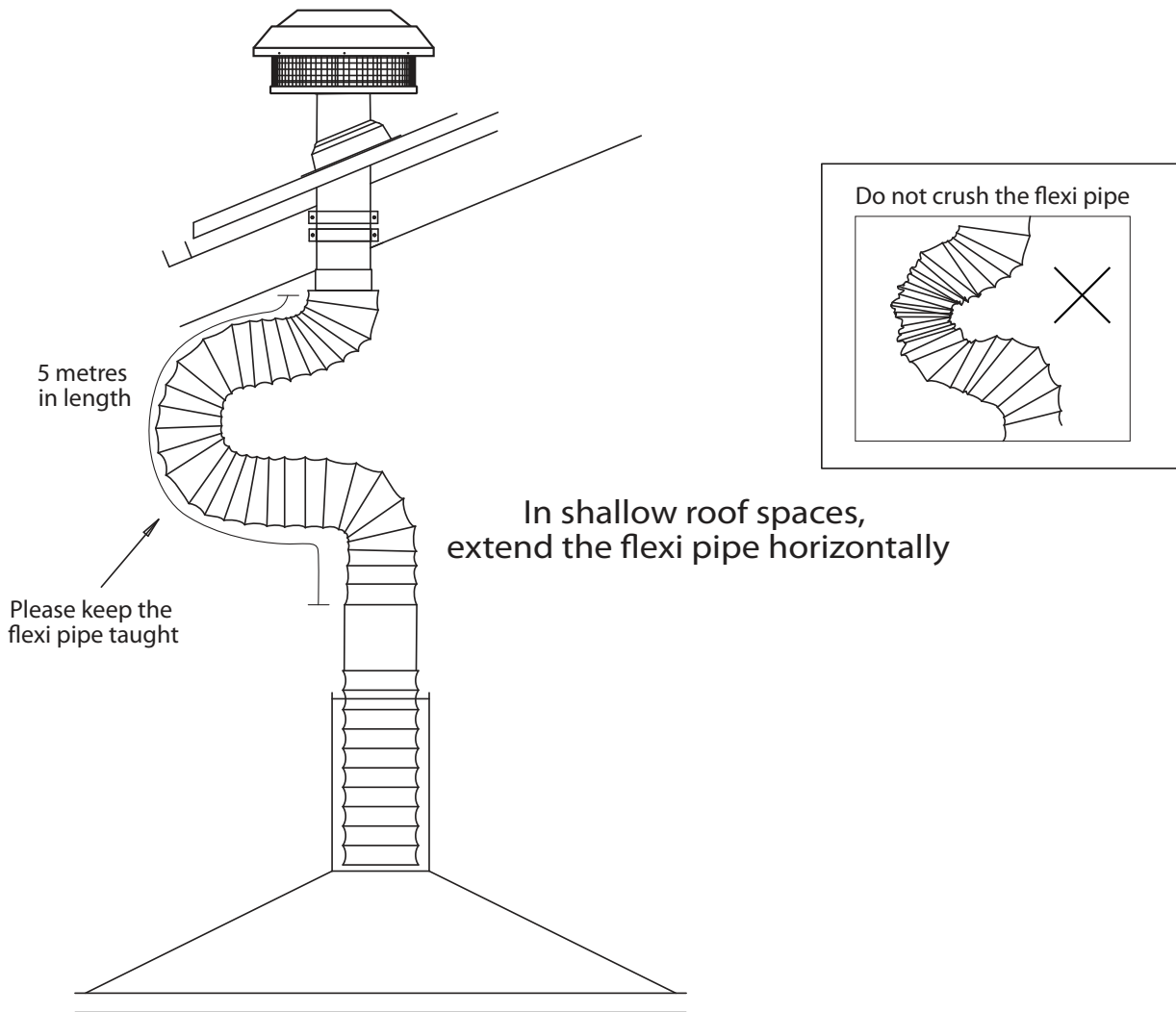
Figure 5

IMPORTANT PLEASE TAKE NOTE:

For Flexible ducting instructions refer to Page 8 and 9

IMPORTANT PLEASE TAKE NOTE:

Flexible ducting must be fully extended and cut to the required length upon installation. Maximum fan performance will not be achieved unless the ducting is fully extended. Failure to fully extend ducting results in a smaller air passage and lower airflows. Incorrect installation may reduce airflow or increase noise levels. Call outs relating to incorrect installation will result in a service fee directed to the customer. Schweigen will take no responsibility for problems caused by faulty installation. Installation should be done by a qualified technician. A preferred installer list can be obtained from schweigen website www.schweigen.com.au.



WARRANTY

Isodrive motor has a 10-Year replacement product warranty. This is a change over warranty. The consumer is responsible for any charges associated with removal of the faulty unit and installation of the new unit. The customer is also responsible for any freight charges incurred in this change over process.

WWW.SCHWEIGEN.COM.AU or **CALL 1300 881 693**